

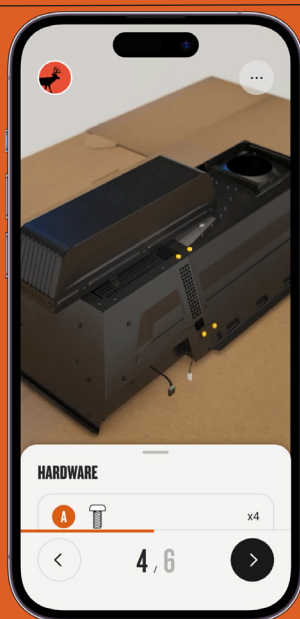


ASSEMBLY GUIDE

WOODRIDGE™ ELITE WOOD PELLET GRILL



**SCAN FOR
STEP BY STEP
ANIMATED
INSTRUCTIONS**



**A MAJOR CAUSE OF FIRES IS FAILURE TO MAINTAIN
REQUIRED CLEARANCES (AIR SPACES) TO COMBUSTIBLE
MATERIALS. IT IS OF UTMOST IMPORTANCE THAT THIS
PRODUCT BE INSTALLED ONLY IN ACCORDANCE WITH
THESE INSTRUCTIONS.**

IMPORTANT: RETAIN FOR FUTURE REFERENCE. READ CAREFULLY.

T17563 A.1

©2024 TRAEGER PELLET GRILLS LLC.
ALL RIGHTS RESERVED.

TRAERER PELLET GRILLS LLC

533 SOUTH 400 WEST
SALT LAKE CITY, UT 84101

TRAERER.COM

BEFORE YOU BUILD

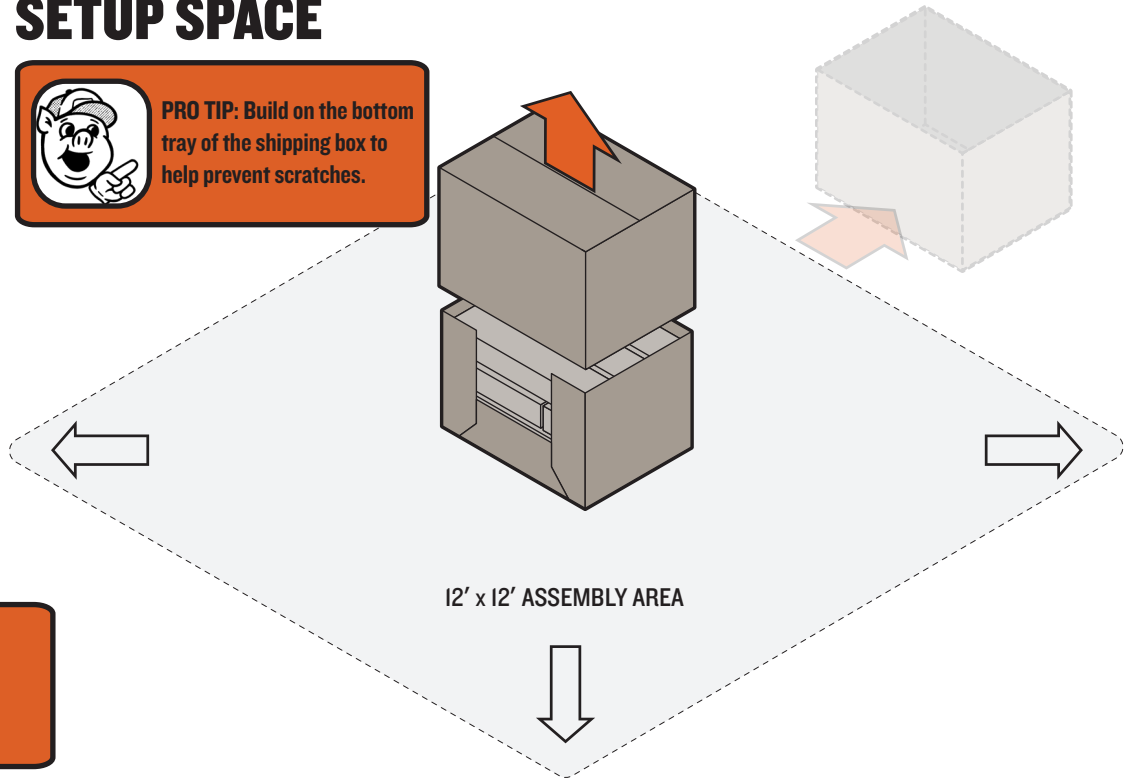
PLEASE READ THIS ASSEMBLY GUIDE AND YOUR OWNER'S MANUAL BEFORE INSTALLATION AND USE OF YOUR TRAEGER® GRILL. FAILURE TO FOLLOW THE INSTRUCTIONS IN THIS ASSEMBLY GUIDE AND YOUR OWNER'S MANUAL COULD RESULT IN PROPERTY DAMAGE, BODILY INJURY, OR EVEN DEATH.

When using your grill, maintain a MINIMUM distance of 20 inches (50.8 cm) from the grill to any nearby combustibles, including wooden railings, home siding, window frames, furniture, trees, and trash receptacles, etc. Do not install or operate this grill on combustible floors or surfaces, indoors or under a combustible ceiling or overhang. Read the Owner's Manual for additional instructions and warnings.

SETUP SPACE



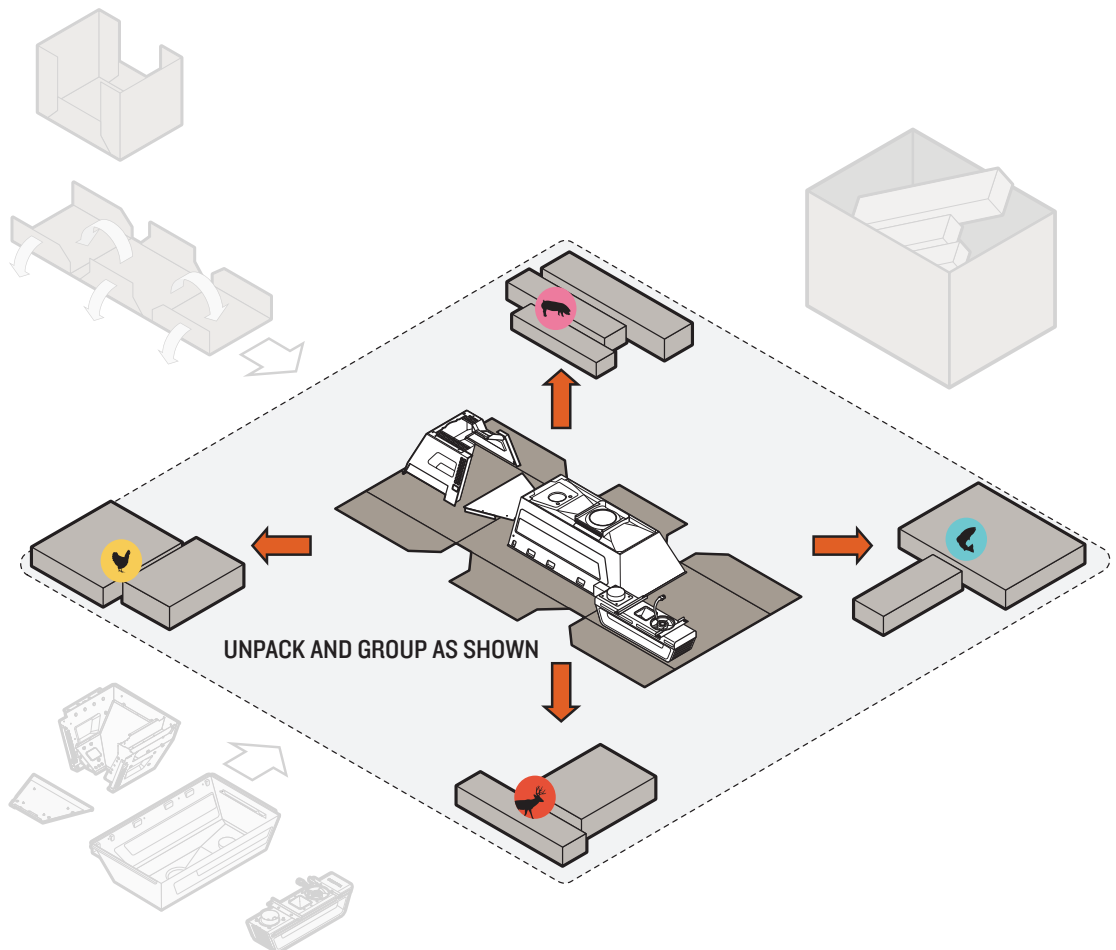
PRO TIP: Build on the bottom tray of the shipping box to help prevent scratches.



PRO TIP: We recommend assembling your grill with two people.

SETUP

Once all components are unpacked, arrange pieces onto the bottom tray of the shipping box.



GROUP BOXES BY THEIR IDENTIFYING SYMBOLS, SHOWN BELOW:



COMPARTMENTS & LEGS



CABINET & CASTERS



SIDE BURNER, BASE, & CONTROLLER



LID & GRILL INTERNALS



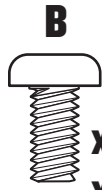
HARDWARE (TOTAL QUANTITIES)

1:1 SCALE



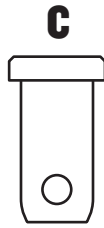
x42
x2 extra

1/4
20
0.75 in.



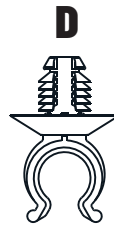
x97
x6 extra

1/4
20
0.5 in.



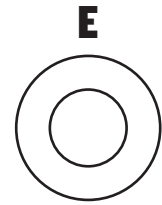
x2

0.375
CLEVIS
PIN



x6
x1 extra

POWER CORD
CLIP



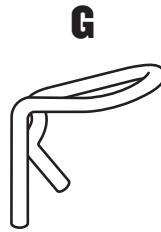
x2

0.375
WASHER



x4

MOUNTING
PLATE



x2
x1 extra

90°
COTTER
PIN



x2 extra

SILICONE
BUMPER



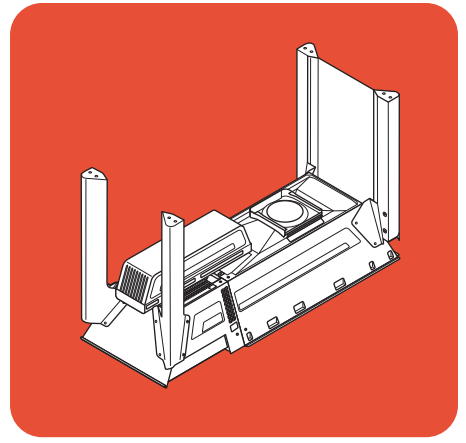
x2

BOTTOM PIN,
CABINET
DOOR

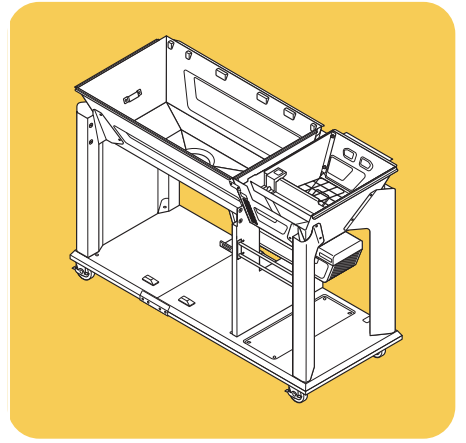
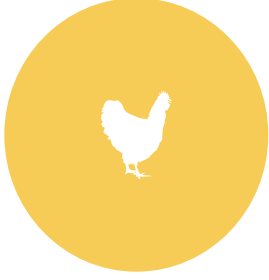


CHAPTERS

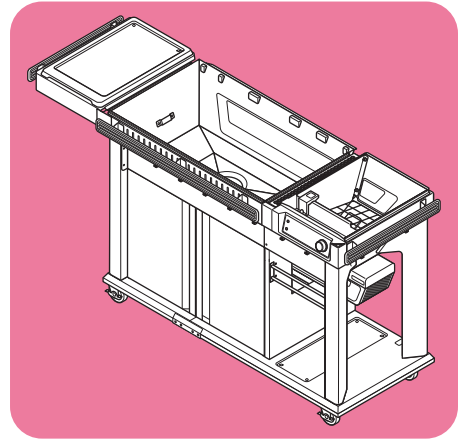
CHAPTER 1 – PAGE 5 COMPARTMENTS & LEGS



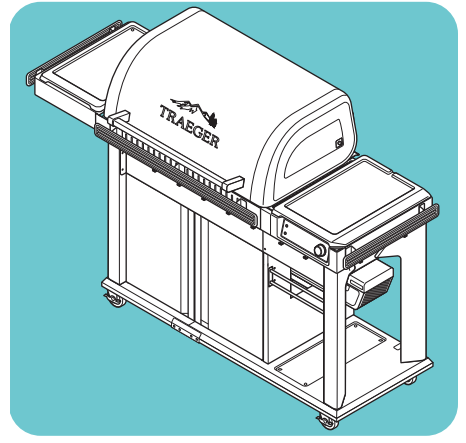
CHAPTER 2 – PAGE 13 CABINET & CASTERS



CHAPTER 3 – PAGE 21 SIDE BURNER, BASE, & CONTROLLER

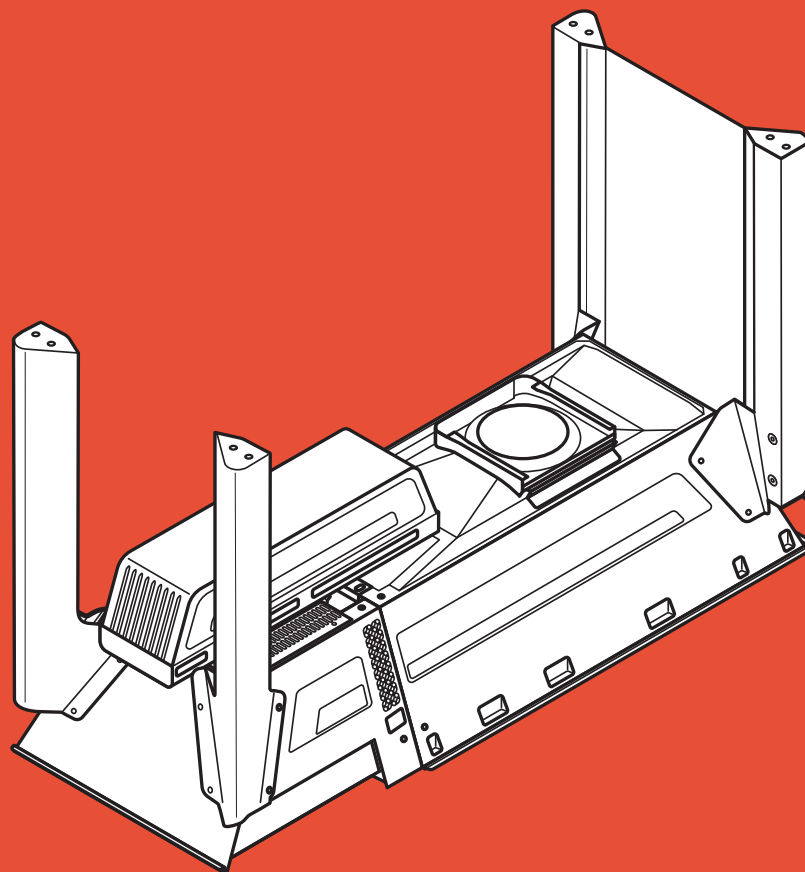


CHAPTER 4 – PAGE 43 LID & GRILL INTERNALS





CHAPTER 1

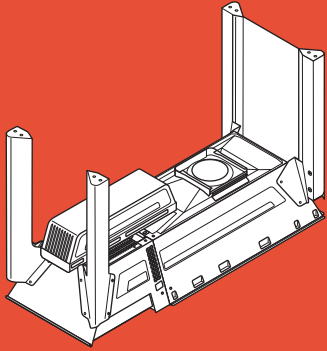


COMPARTMENTS & LEGS

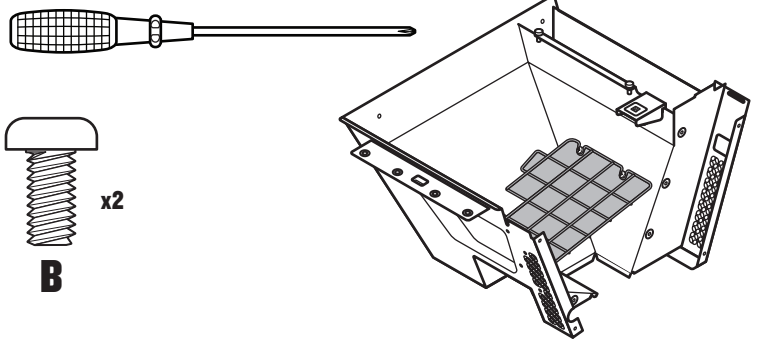




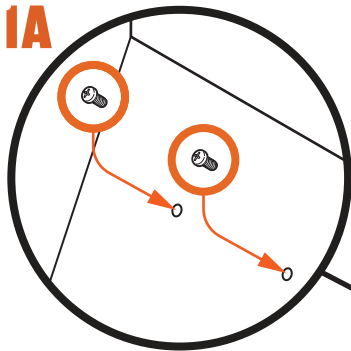
CHAPTER 1



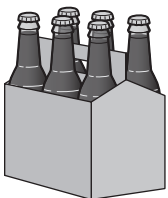
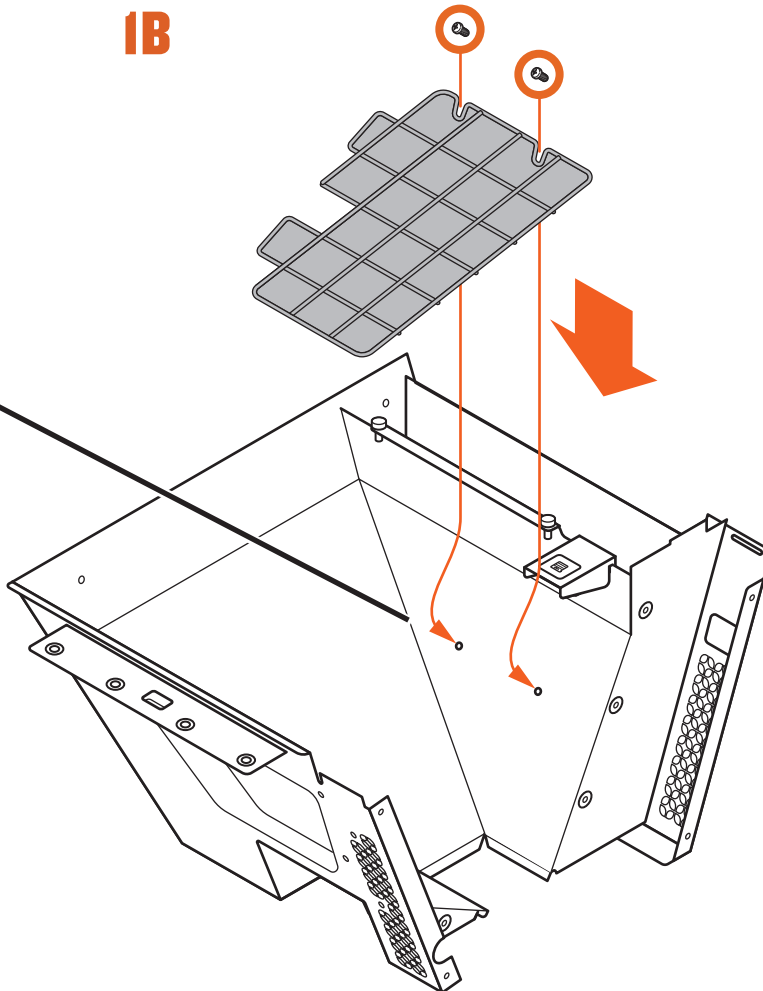
1 INSTALL SAFETY GRATE



PRO TIP: Hand-tighten all screws first, then finish tightening with screwdriver.



1B



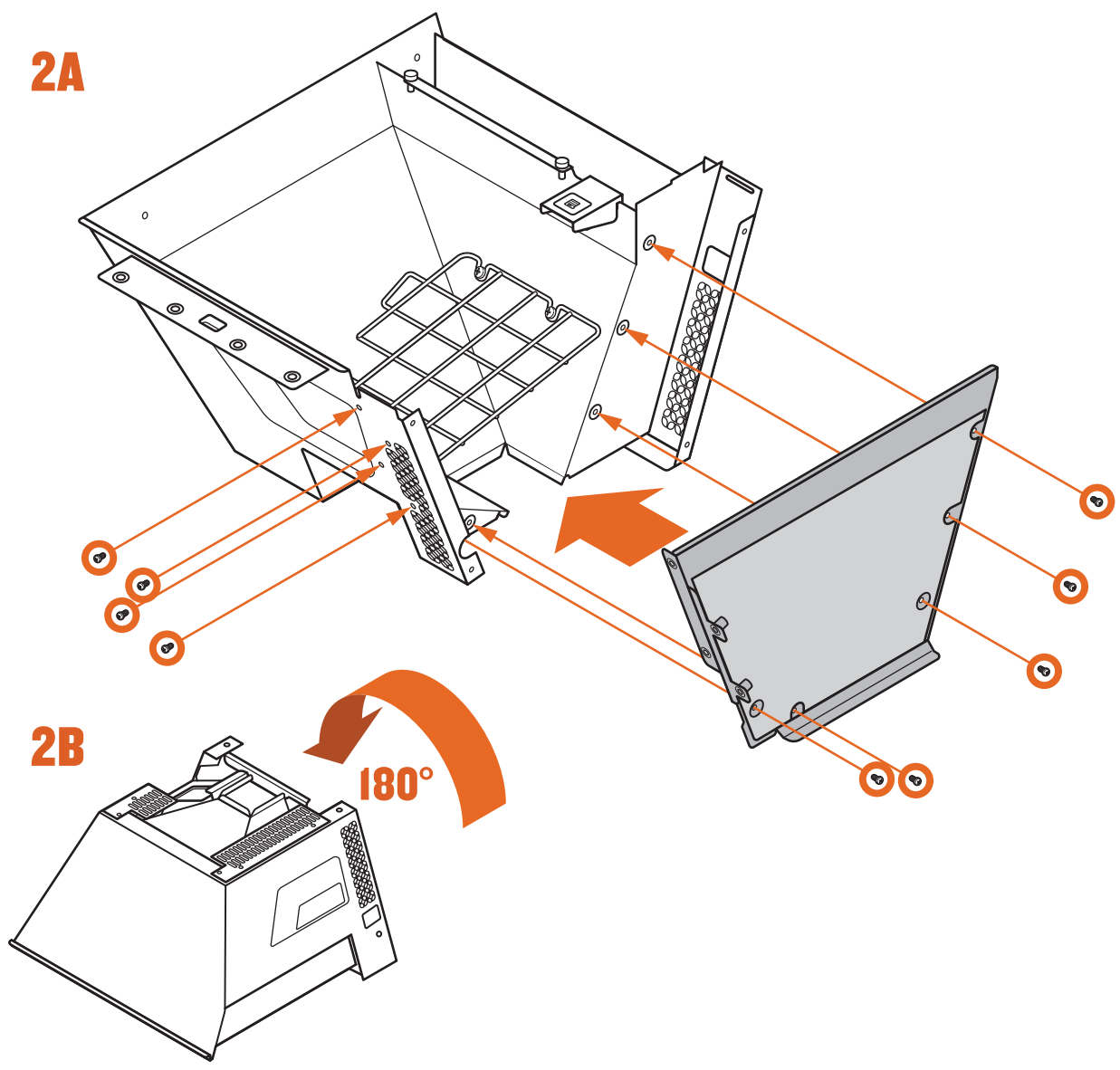
6





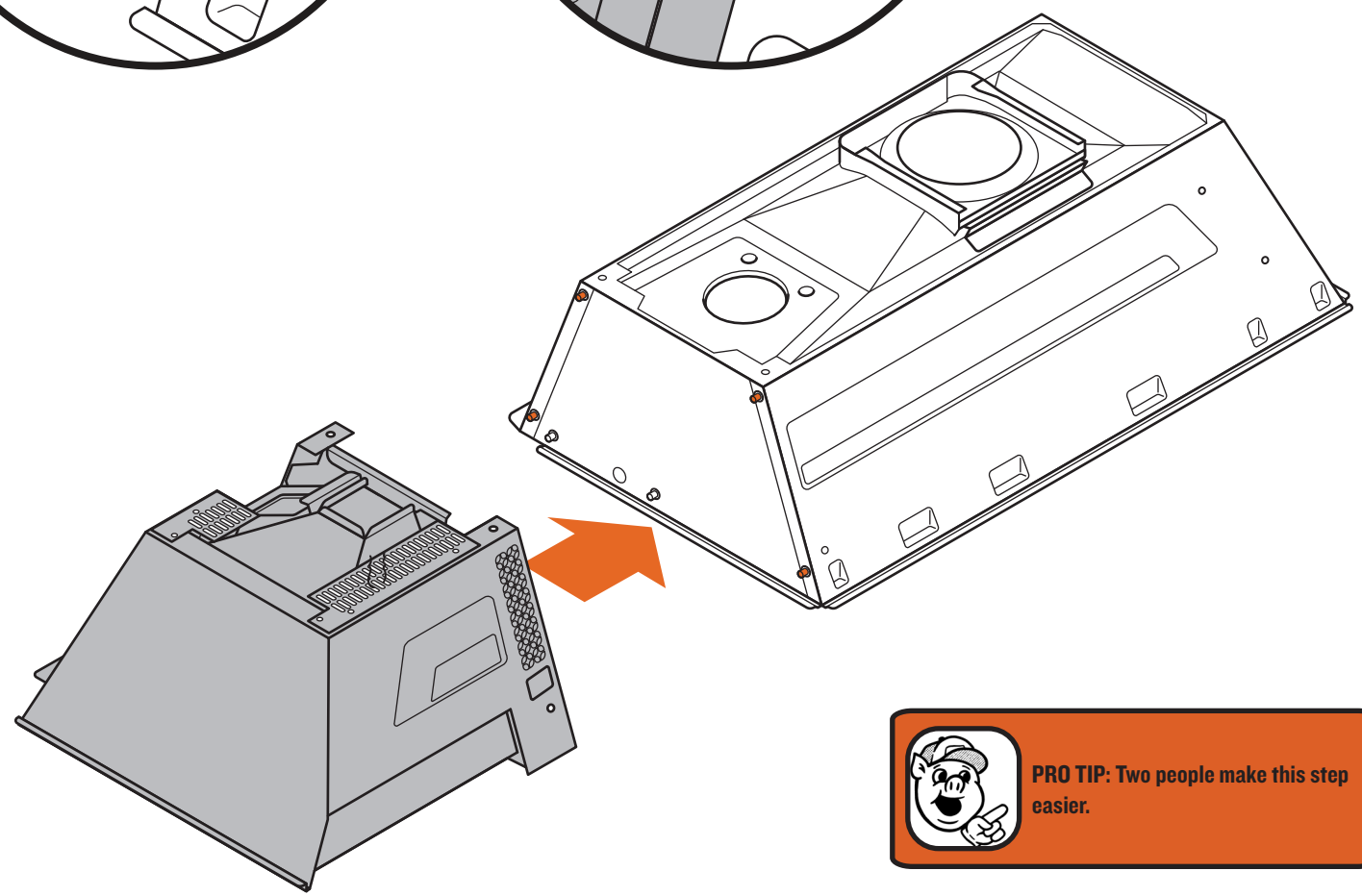
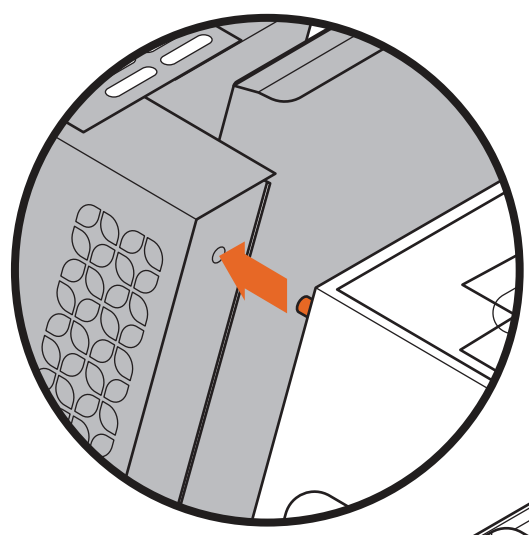
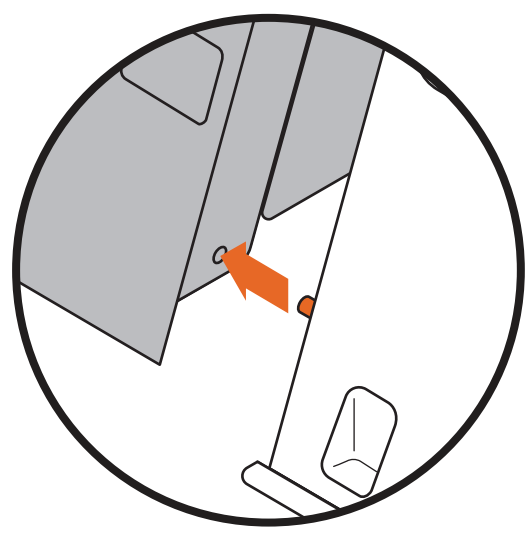
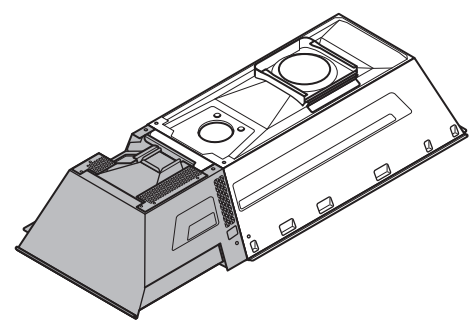
2 ASSEMBLE HOPPER


B x9





3A ATTACH HOPPER TO BODY

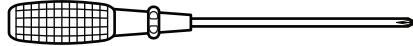
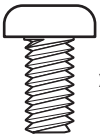


 **PRO TIP:** Two people make this step easier.

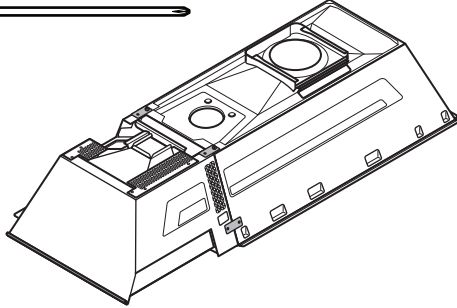
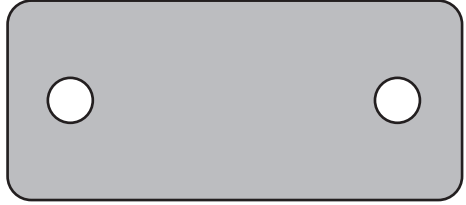




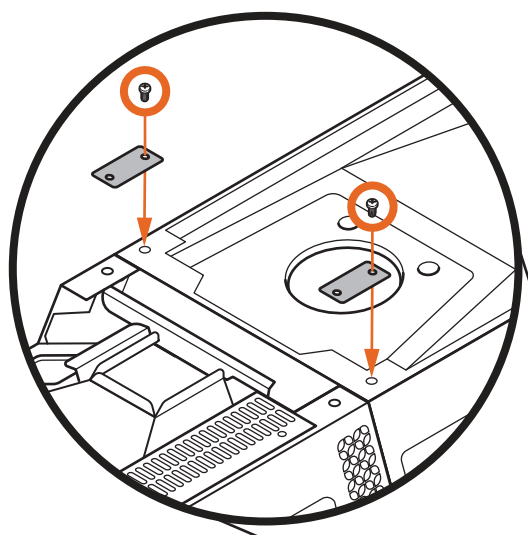
3B ATTACH HOPPER TO BODY

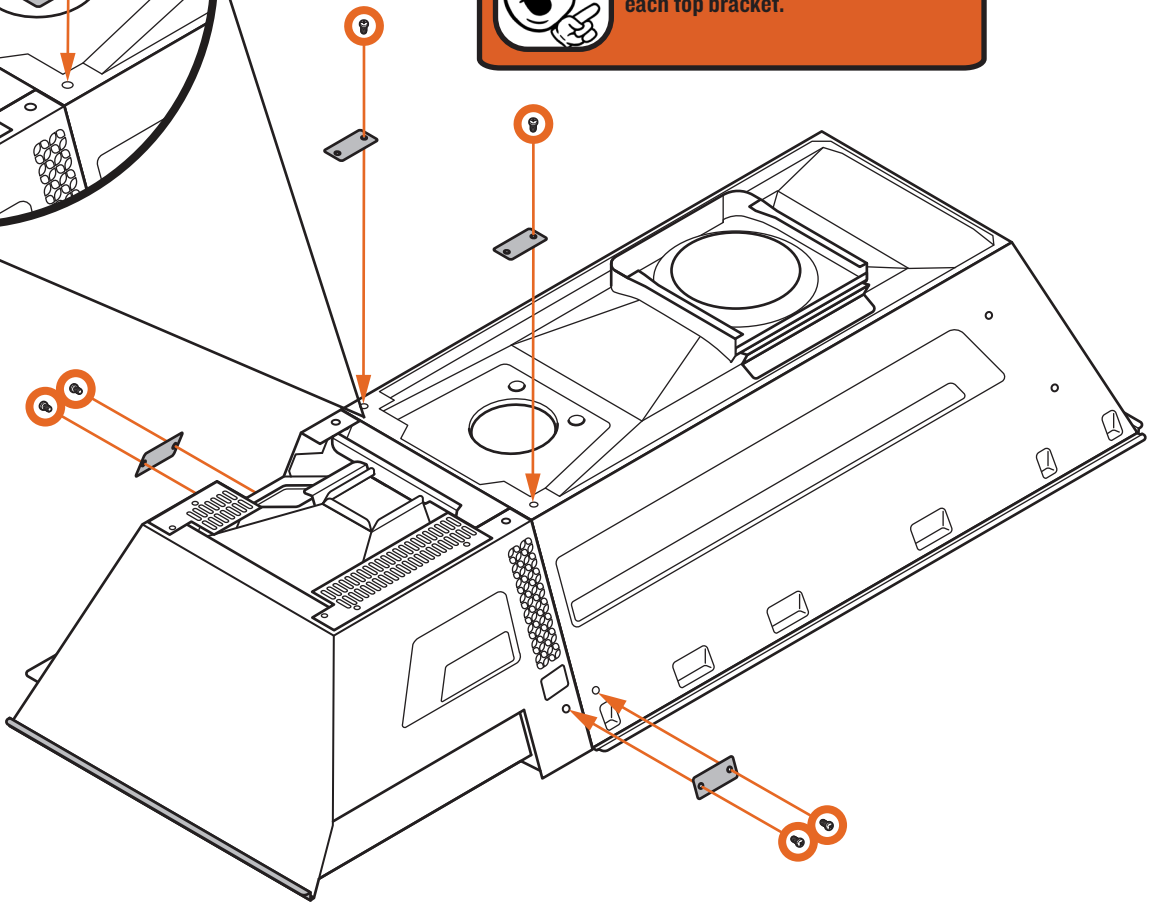
B x6

F x4

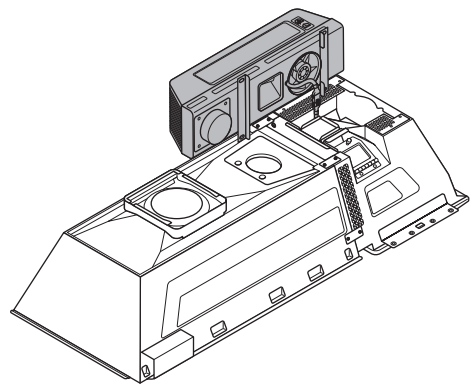
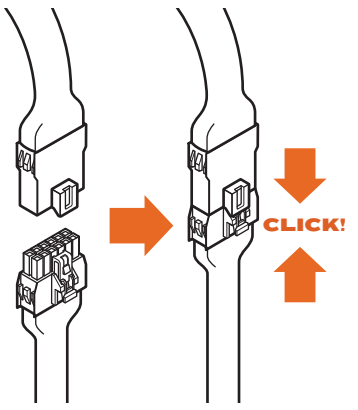
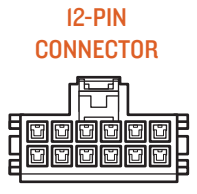




PRO TIP: Only install one screw in each top bracket.



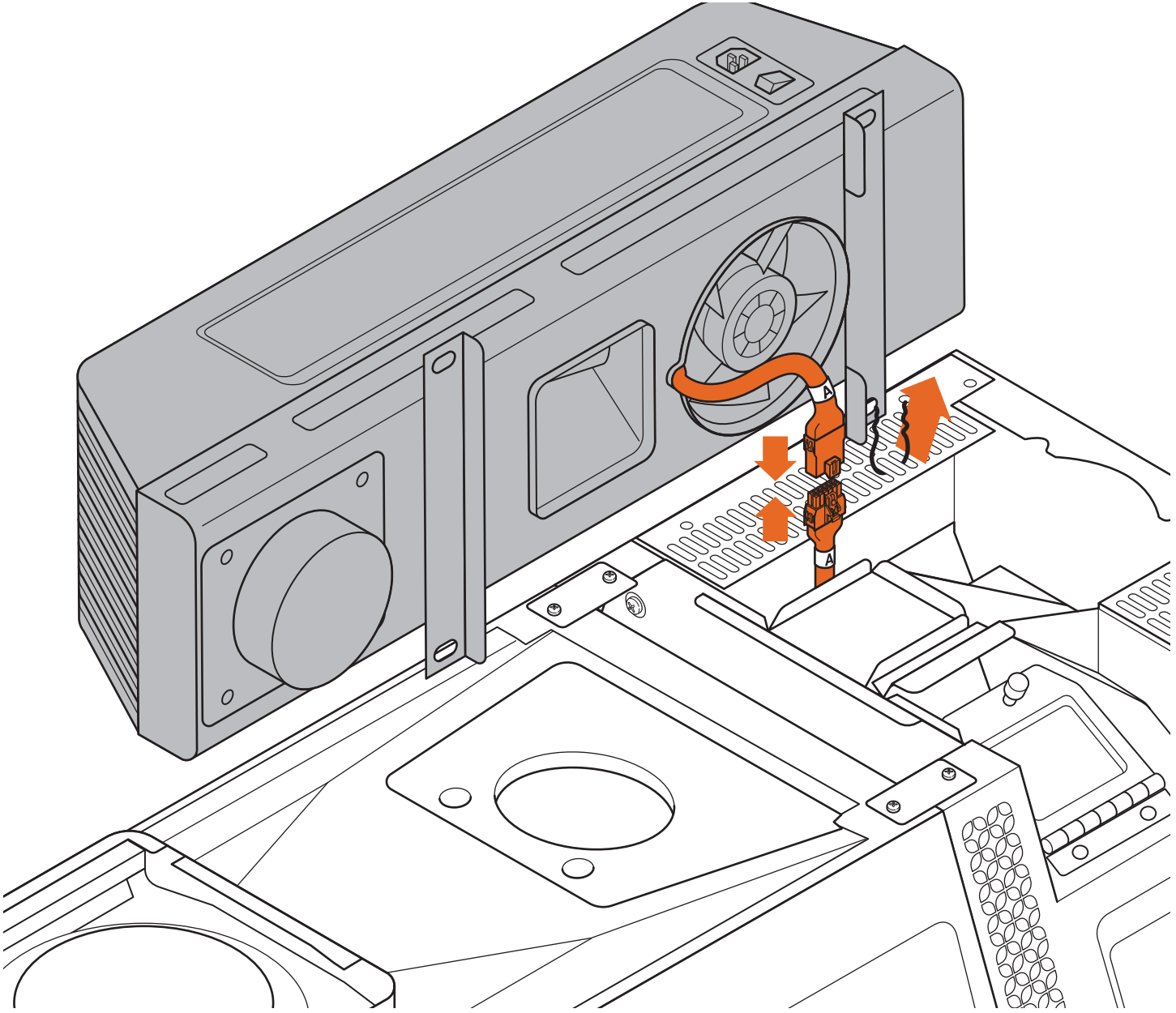


4 CONNECT AUGER BOX



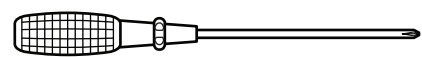
 **PRO TIP:** Have a second person hold the auger box while you connect the cord.

 **PRO TIP:** Don't forget to remove the twist tie and tape holding down the cord.

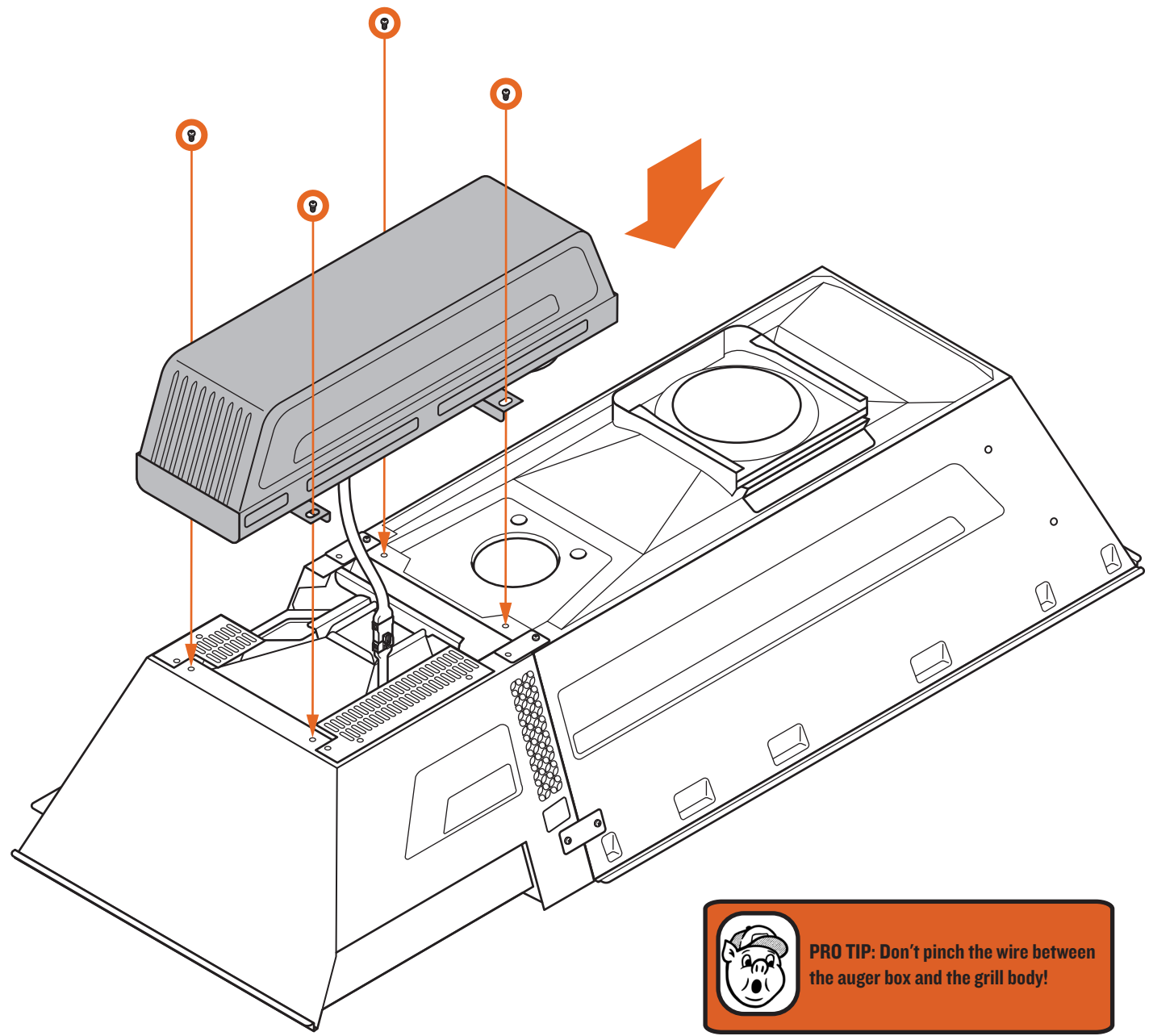
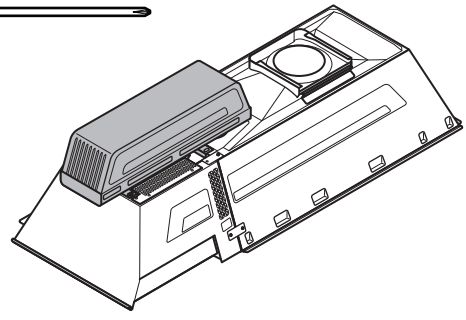
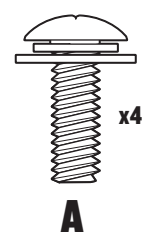




5 ATTACH AUGER BOX



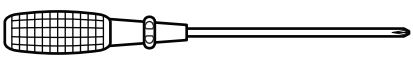
Use **THIS** screw now!



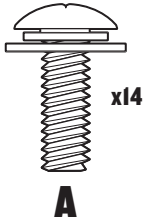
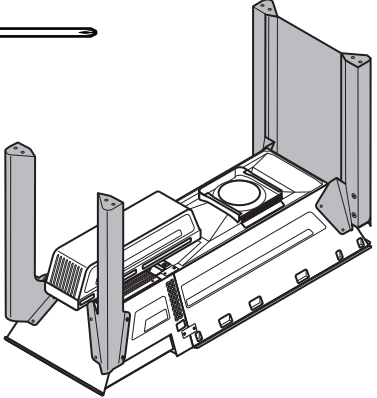
 **PRO TIP:** Don't pinch the wire between the auger box and the grill body!




6 ATTACH LEGS

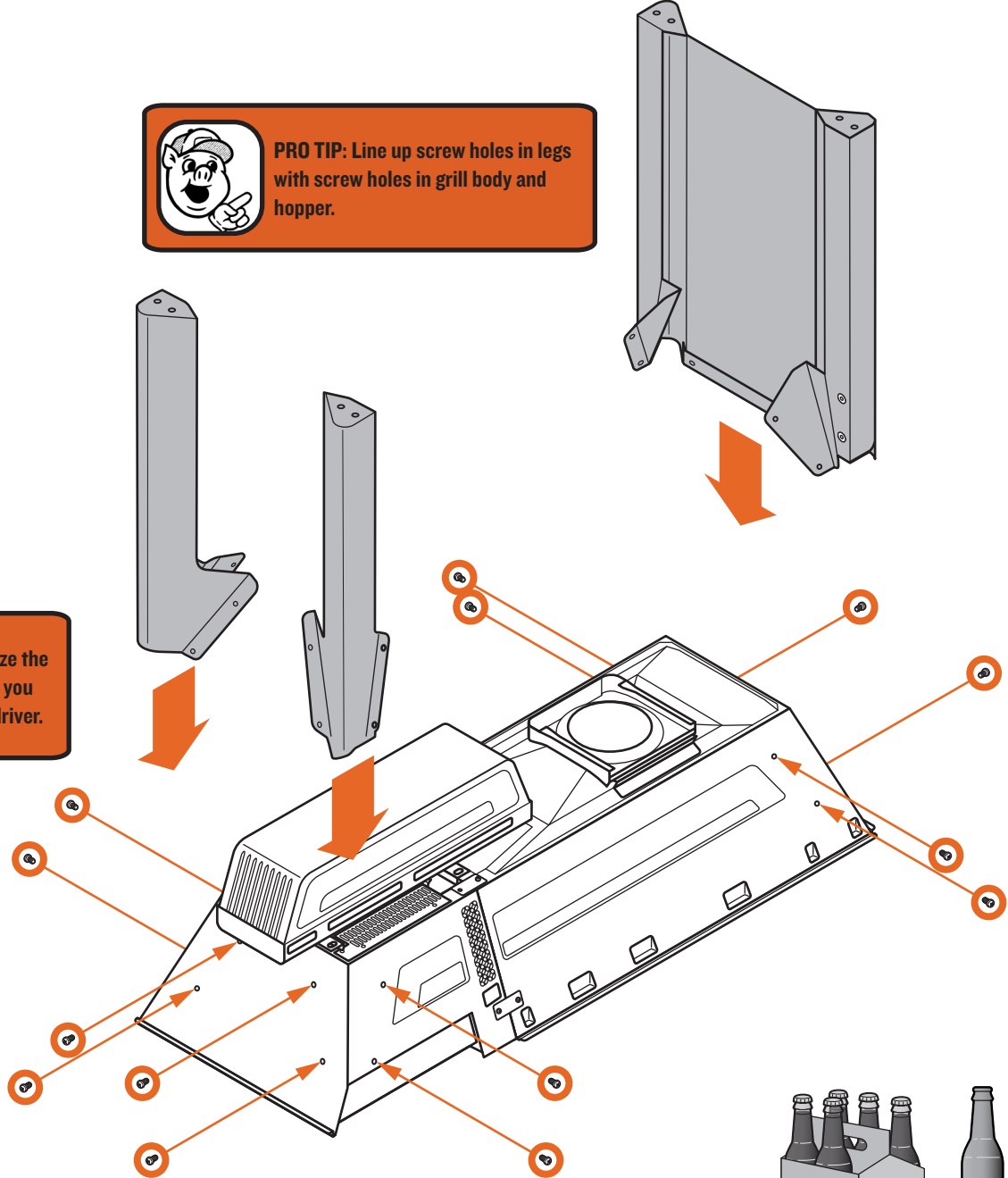


Use **THIS** screw now!

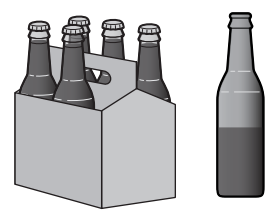



 **PRO TIP:** Line up screw holes in legs with screw holes in grill body and hopper.

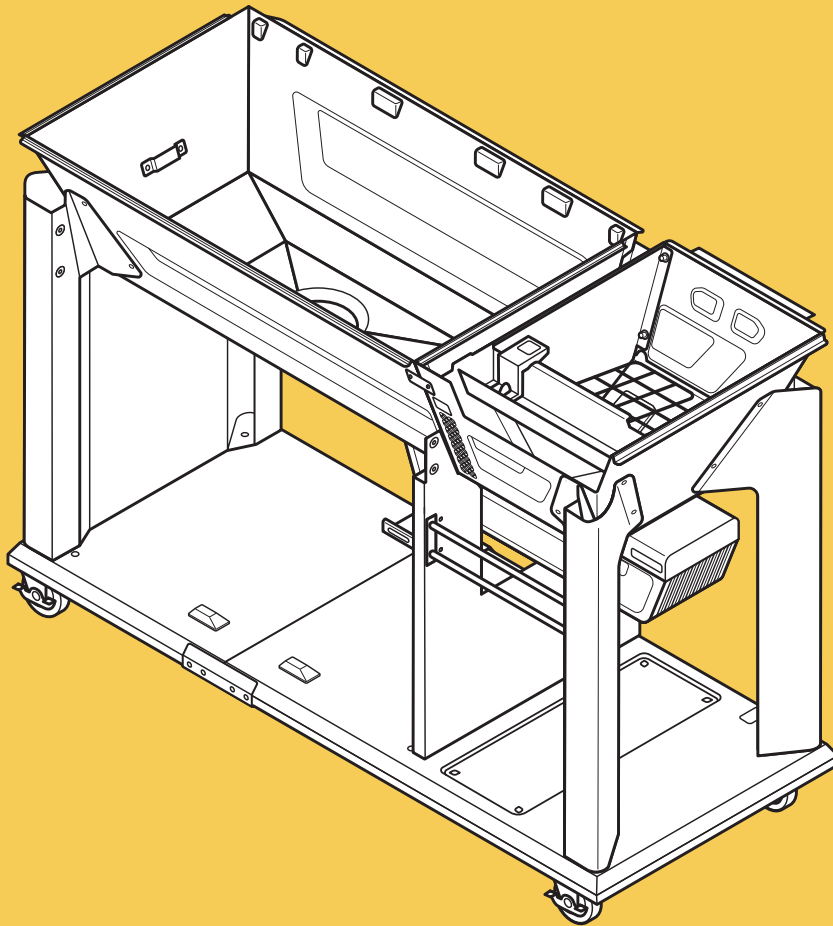
 **PRO TIP:** You can gently squeeze the legs to align the screws before you finish tightening with a screwdriver.



NICE WORK!
CHAPTER 1 COMPLETE!

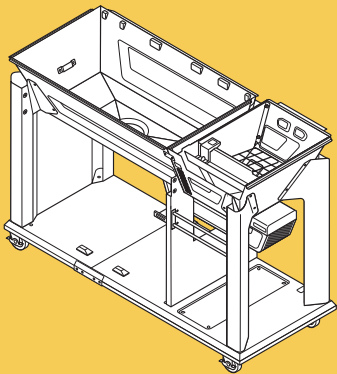


CHAPTER 2

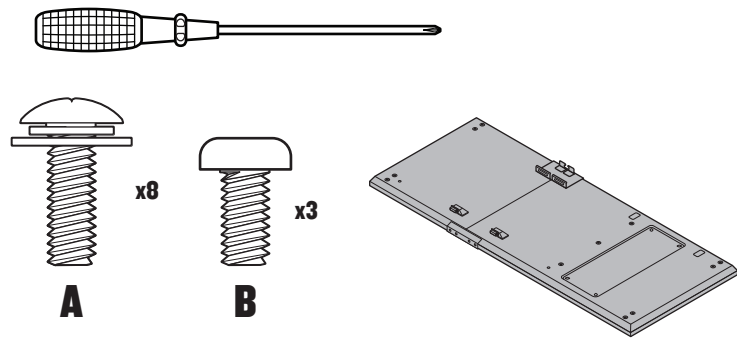



CABINET & CASTERS

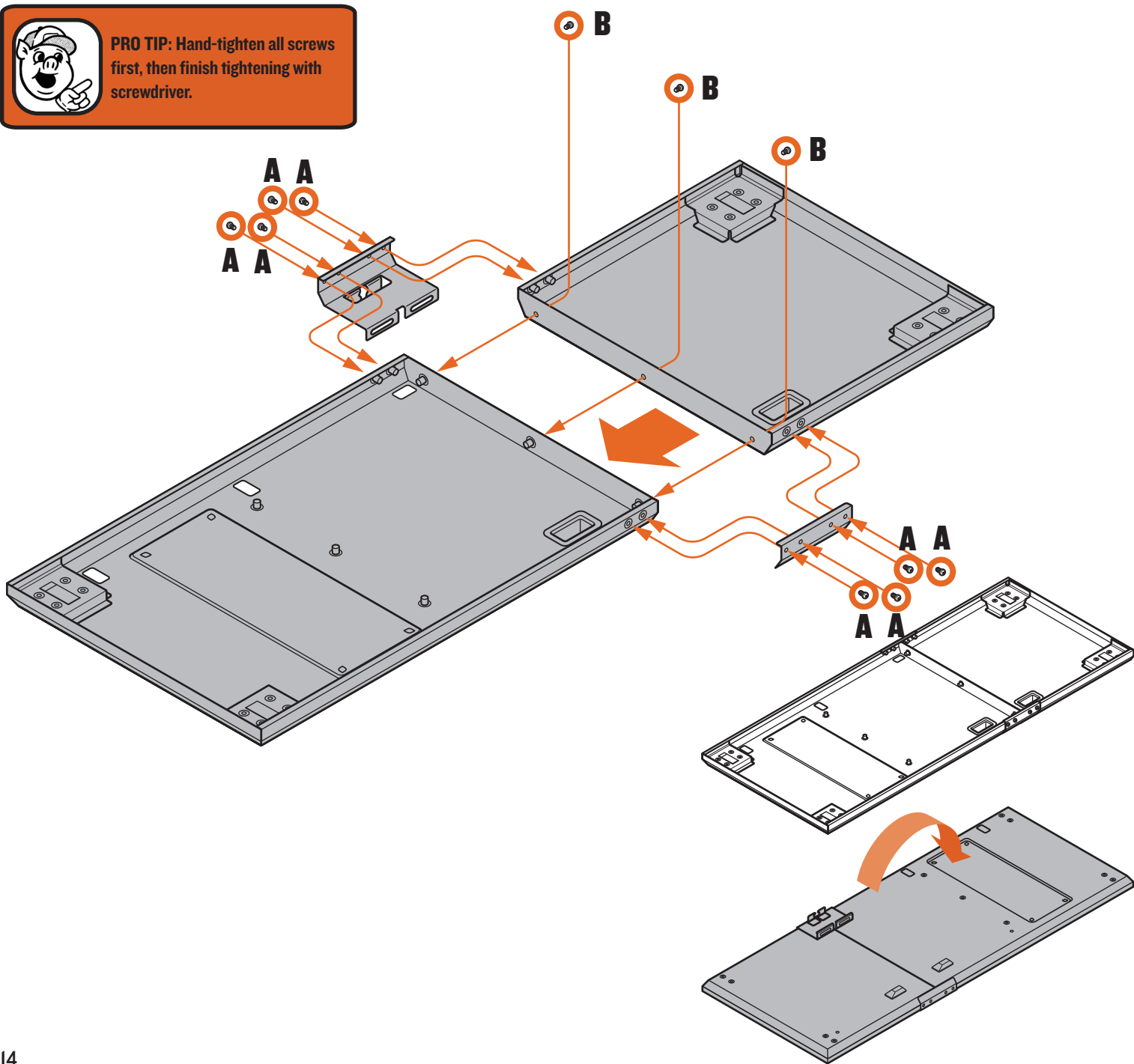
CHAPTER 2



I ASSEMBLE BASE

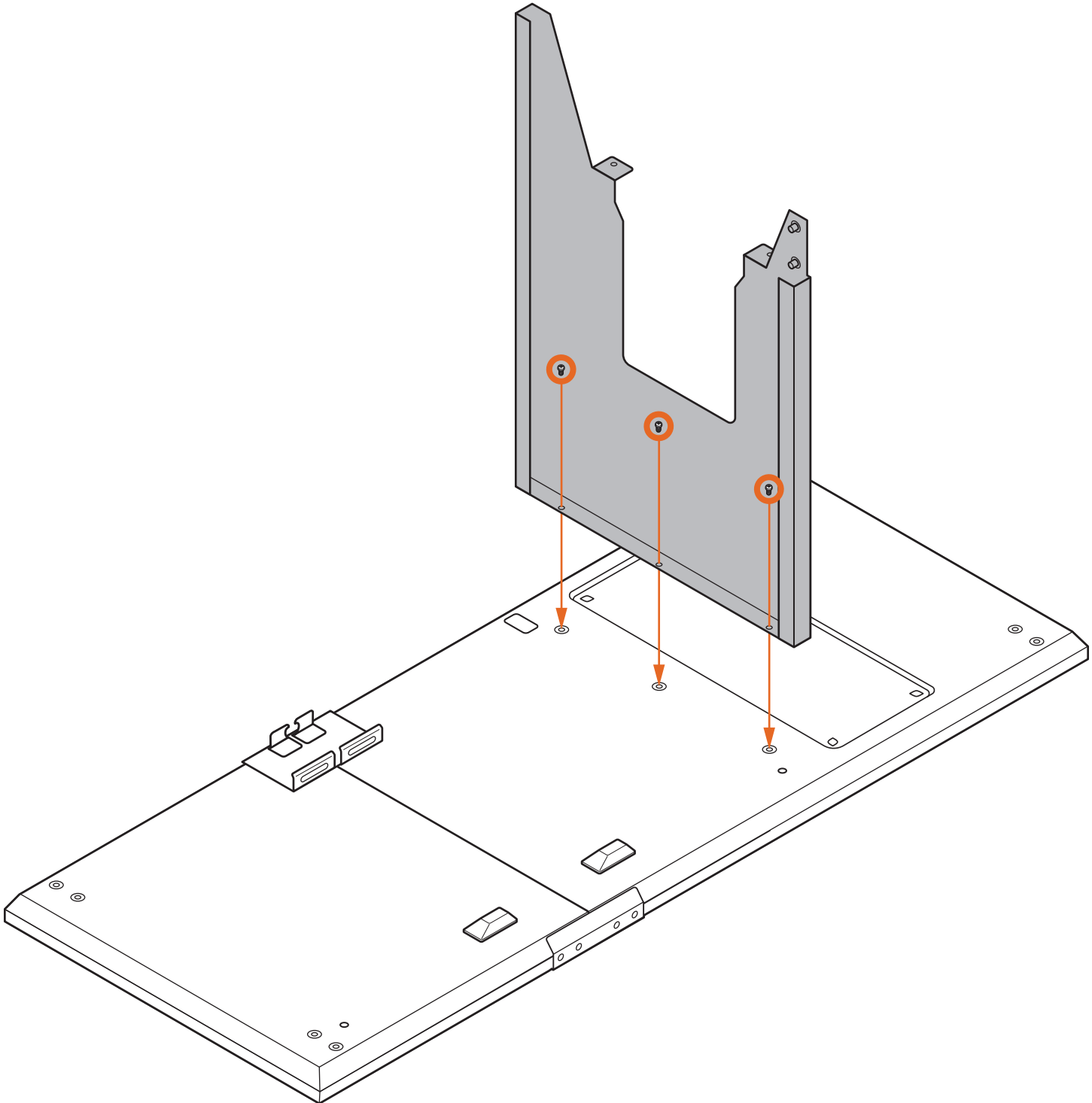
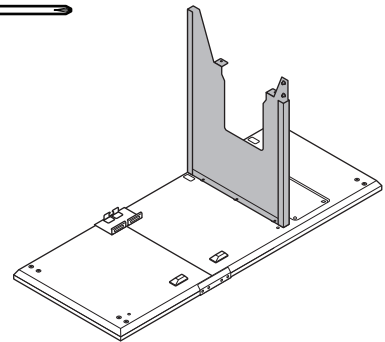
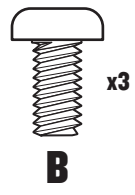
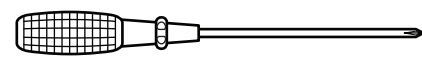



 **PRO TIP:** Hand-tighten all screws first, then finish tightening with screwdriver.





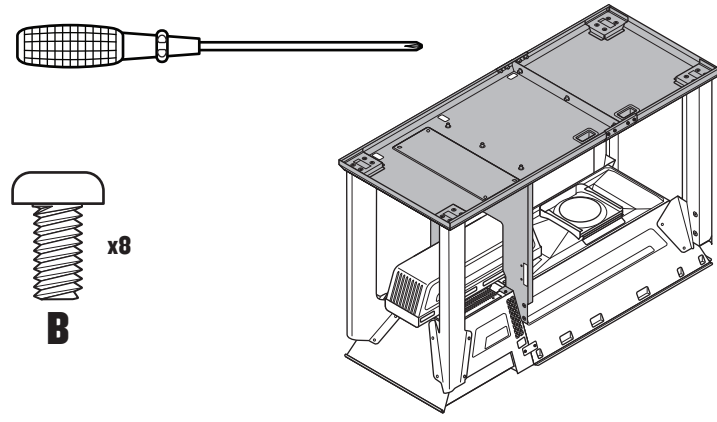
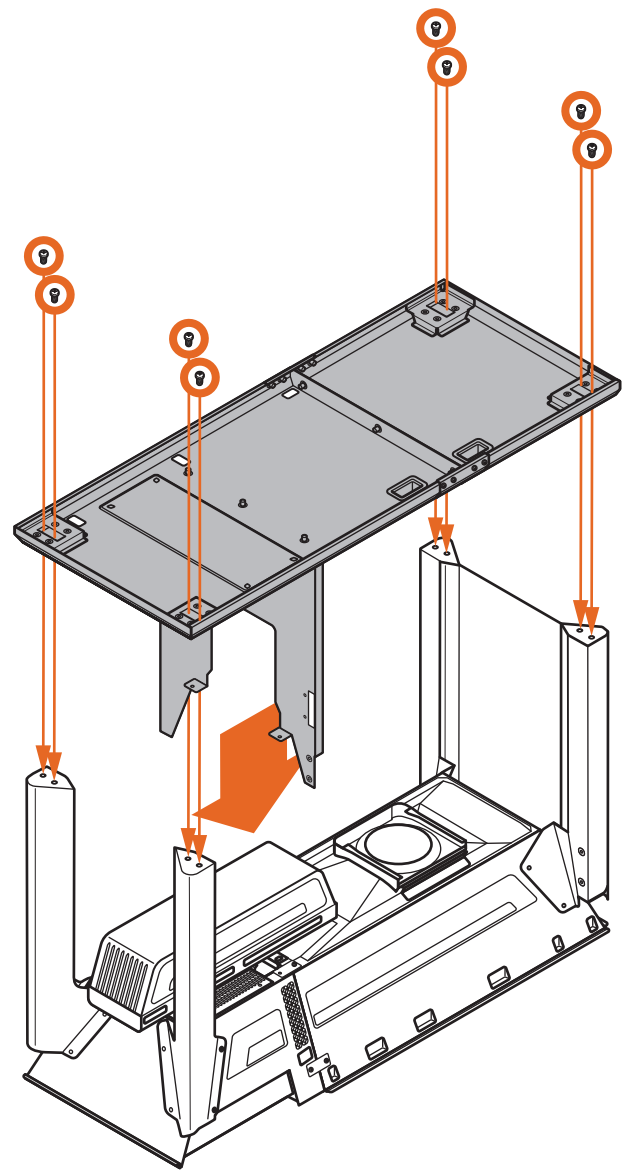
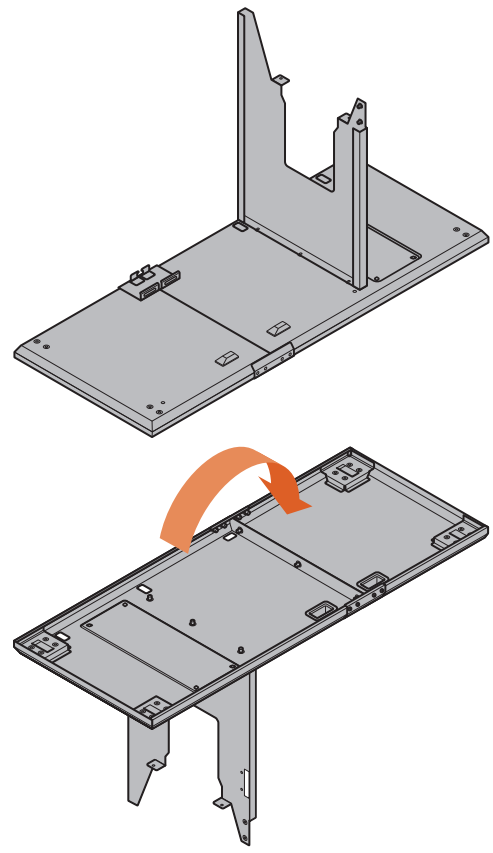
2 ATTACH MIDDLE WALL



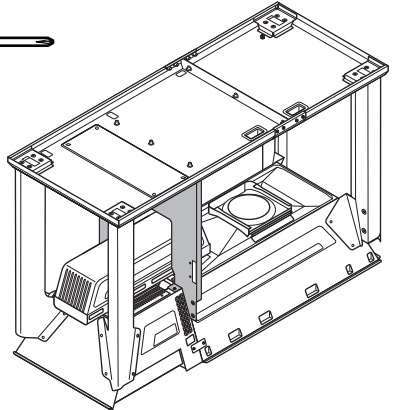
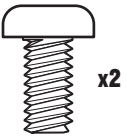
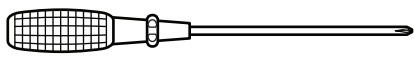
PRO TIP: Have a second person help lift and rotate the base.

3A ATTACH BASE TO GRILL BODY

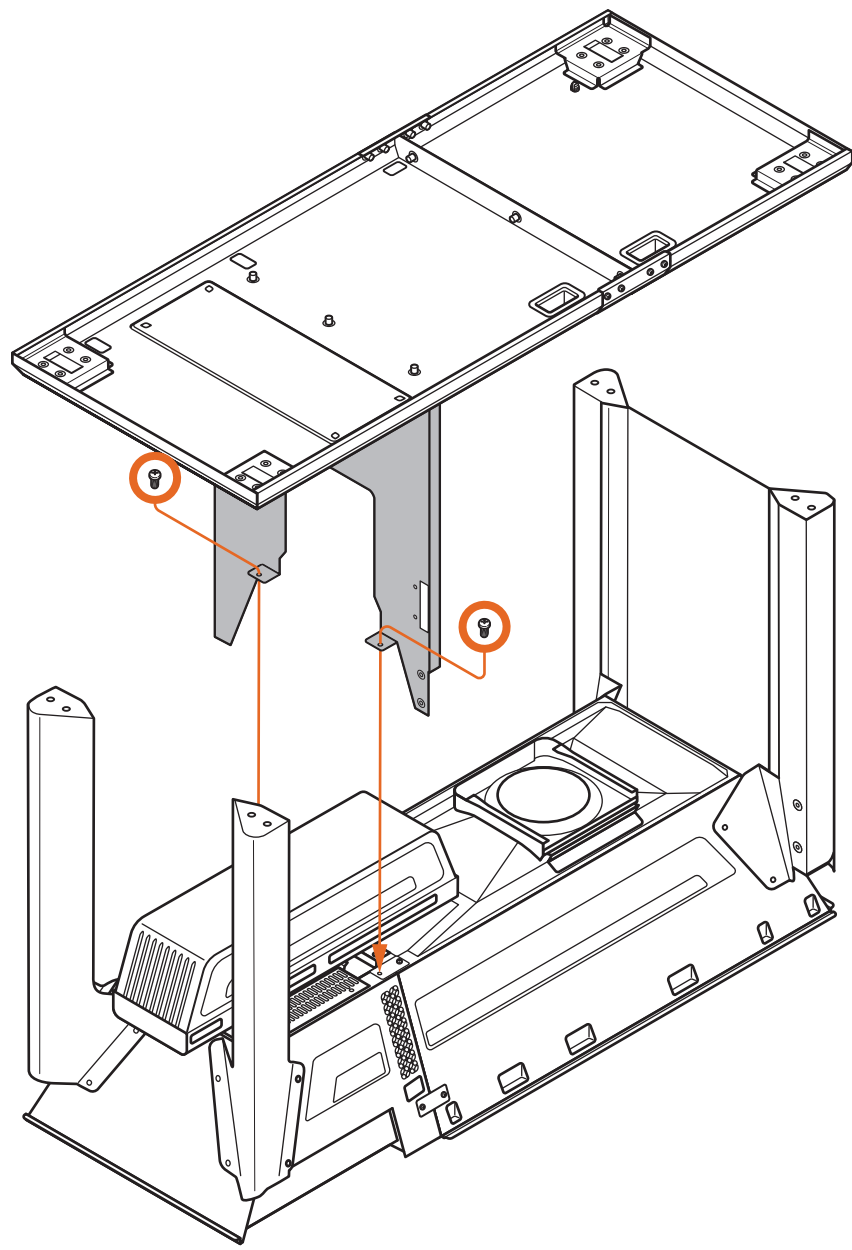





3B ATTACH BASE TO GRILL BODY



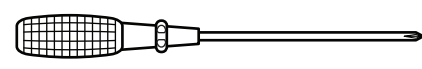
B



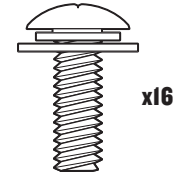



PRO TIP: This step uses different hardware!

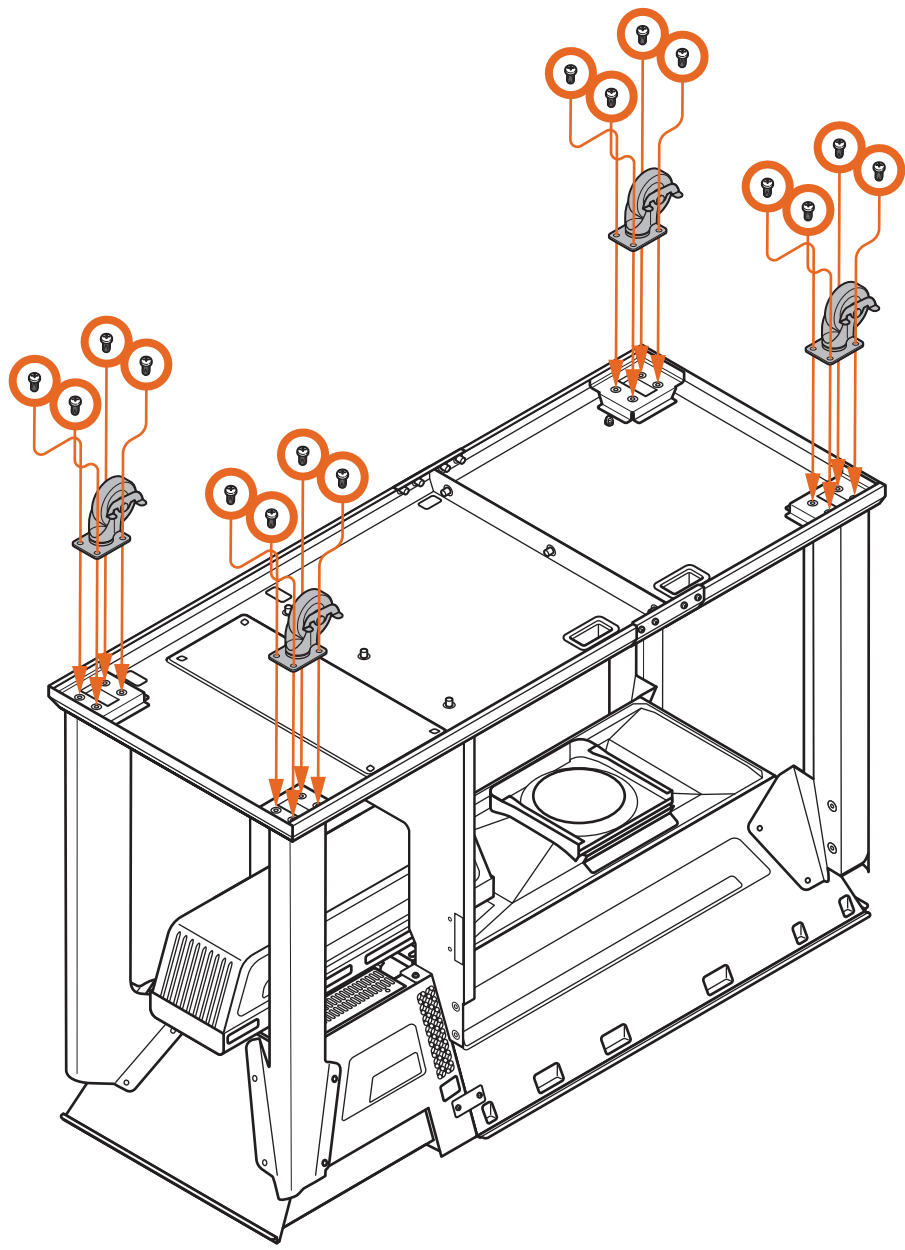
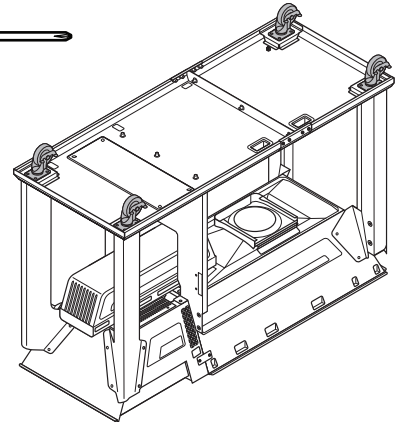
4 ATTACH CASTERS




Use **THIS** screw again!



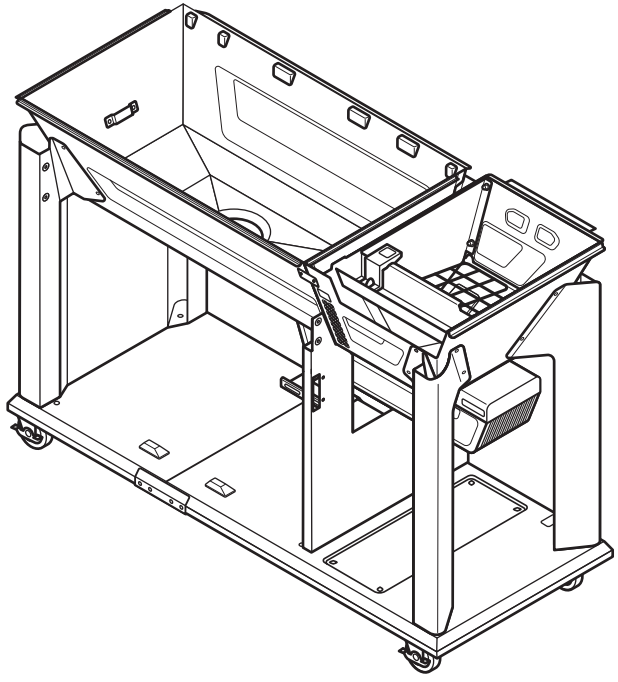
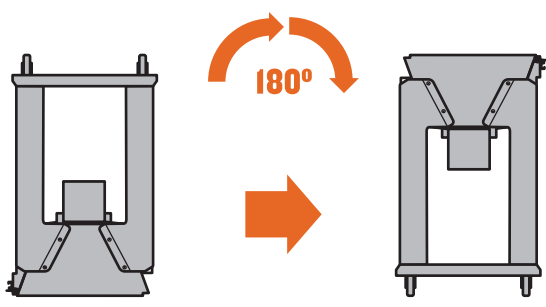
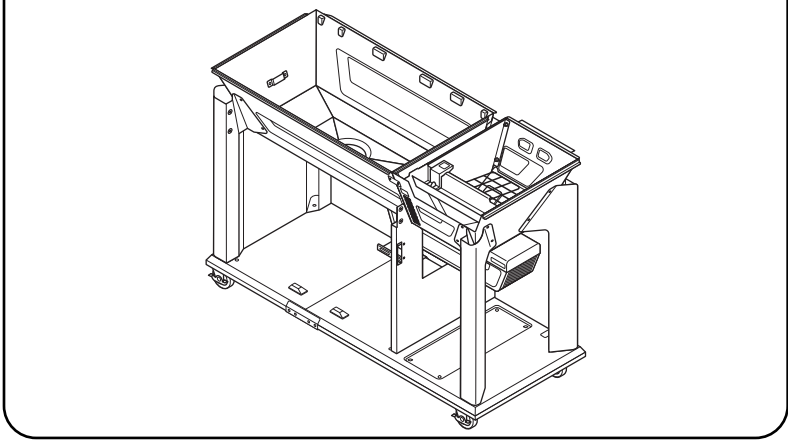
x16






 **PRO TIP:** Have a second person help lift and rotate the grill.



5 FLIP GRILL OVER



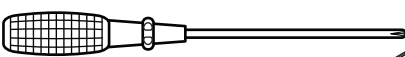

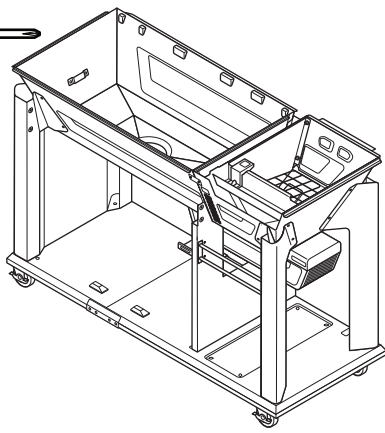
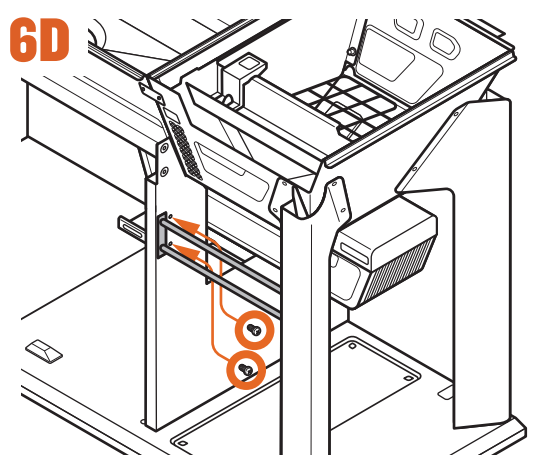
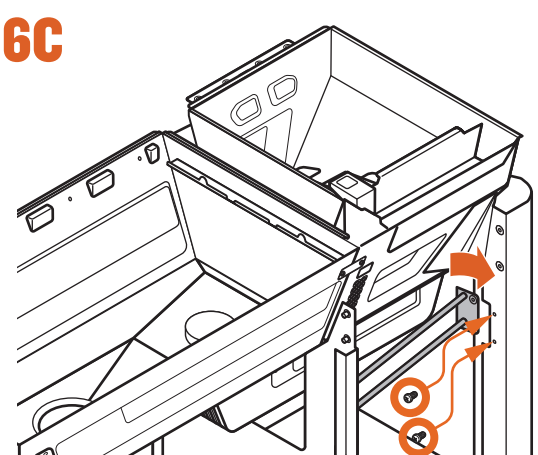
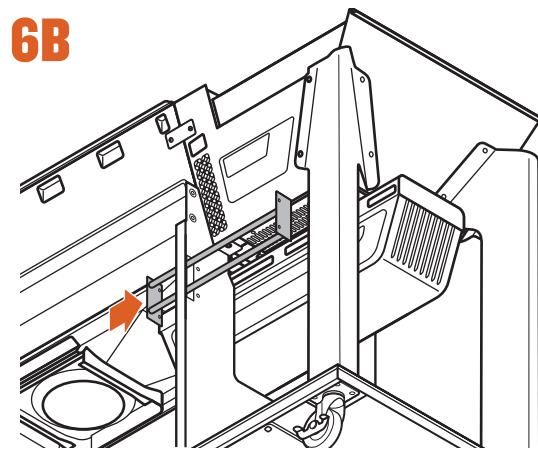
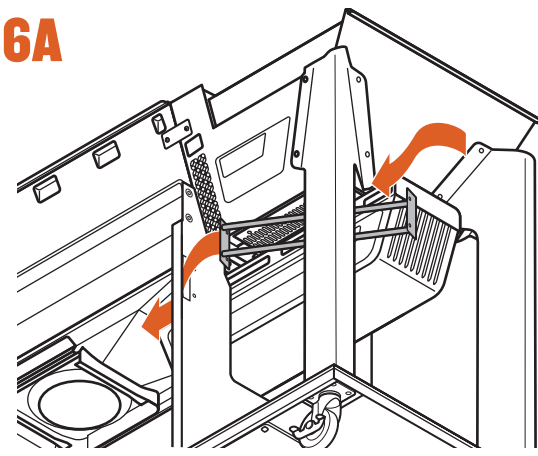
 **PRO TIP:** Lock casters to prevent grill from possibly rolling.



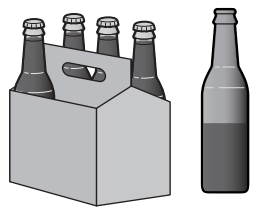
PRO TIP: If you need help with this step, scan this QR code for our animated instructions.

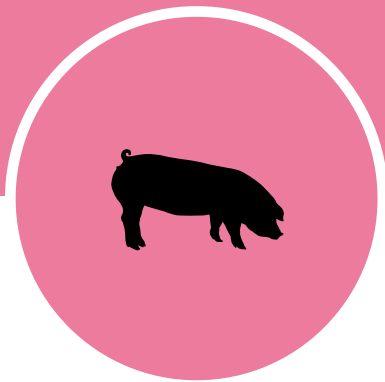
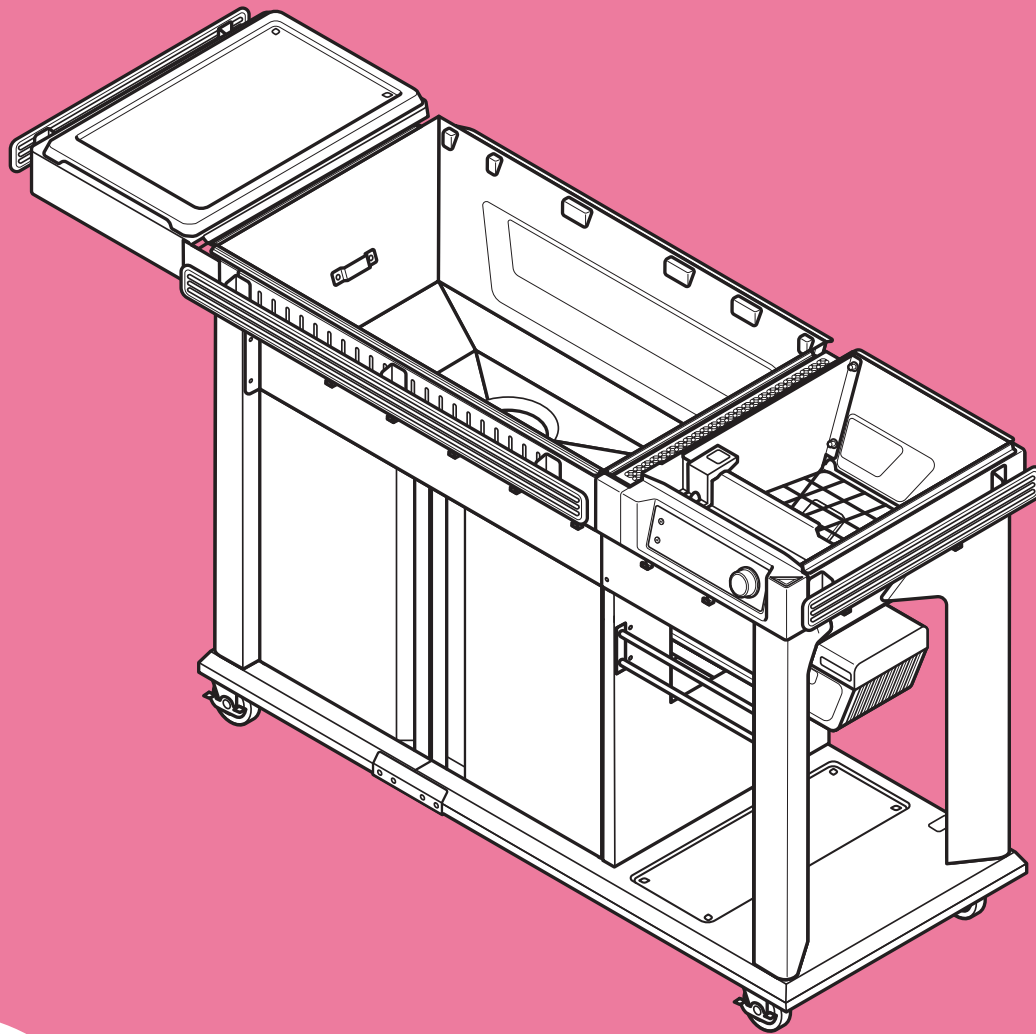
6 ATTACH P.A.L. UTILITY RACK

**NICE WORK!
CHAPTER 2 COMPLETE!**



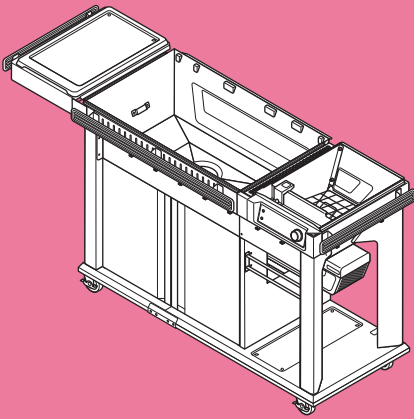
CHAPTER 3



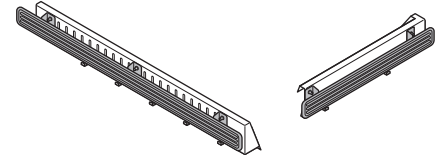
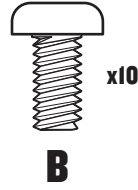
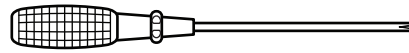
SIDE BURNER, BASE, & CONTROLLER



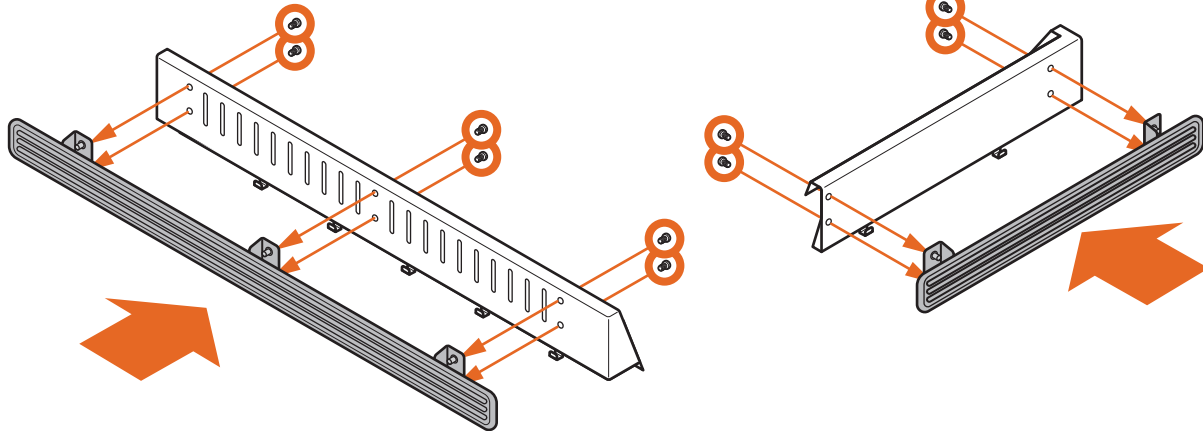
CHAPTER 3



1 BUILD P.A.L. RAILS




PRO TIP: Hand-tighten all screws first, then finish tightening with screwdriver.






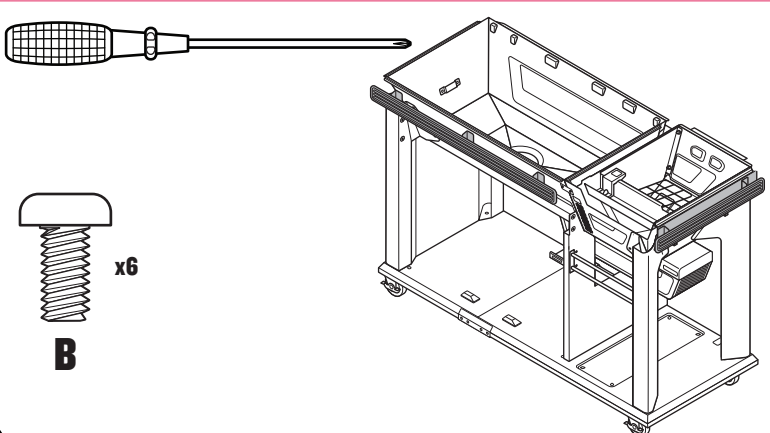
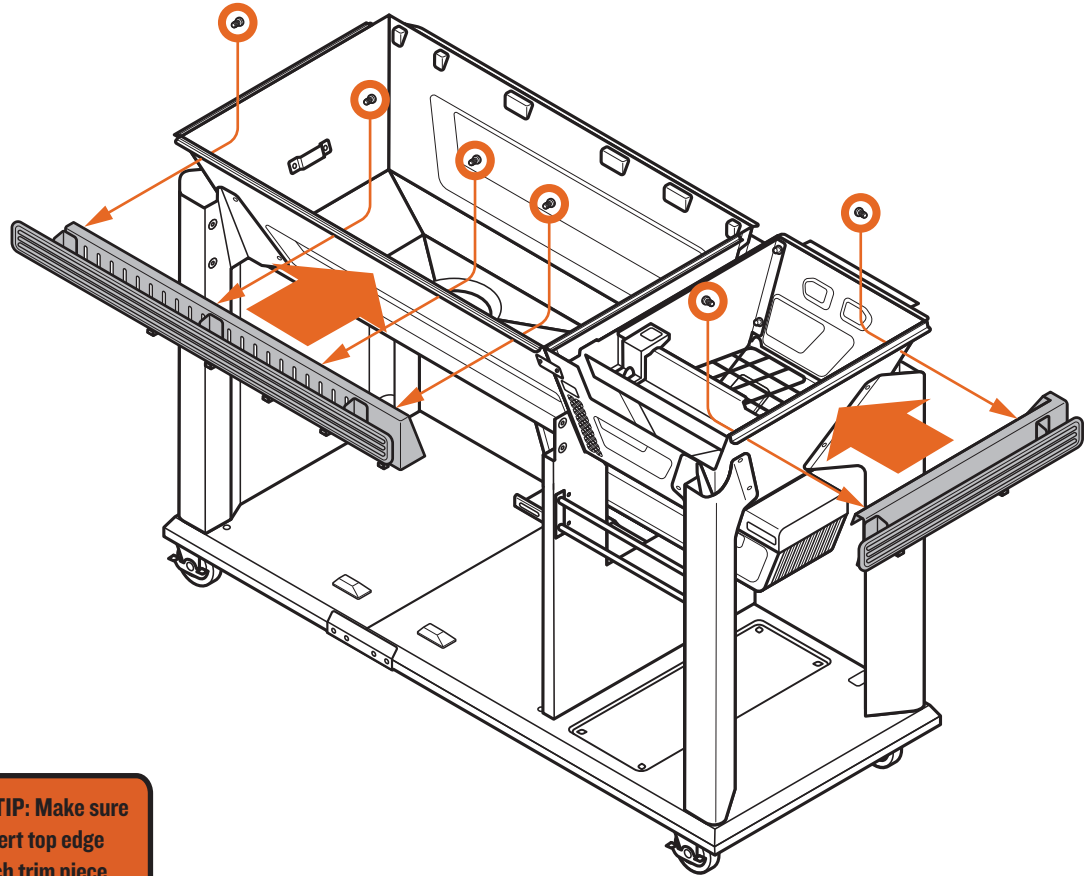
PRO TIP: This step can be tricky. Scan our QR code to access video animations for assembly. Jump to Chapter 3, Step 2 for a video.



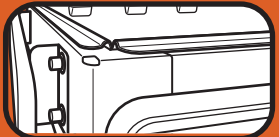


PRO TIP: To prevent hardware from falling into the auger box, lay this manual on top of the grate.



2 ATTACH P.A.L. TRIM

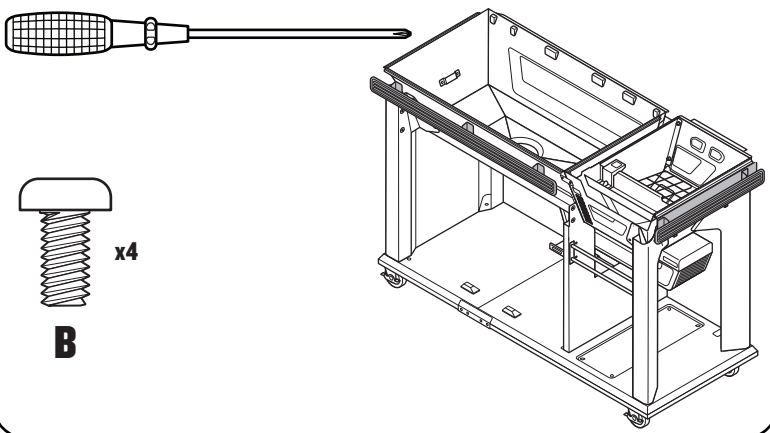



PRO TIP: Make sure to insert top edge of each trim piece under flange on grill.

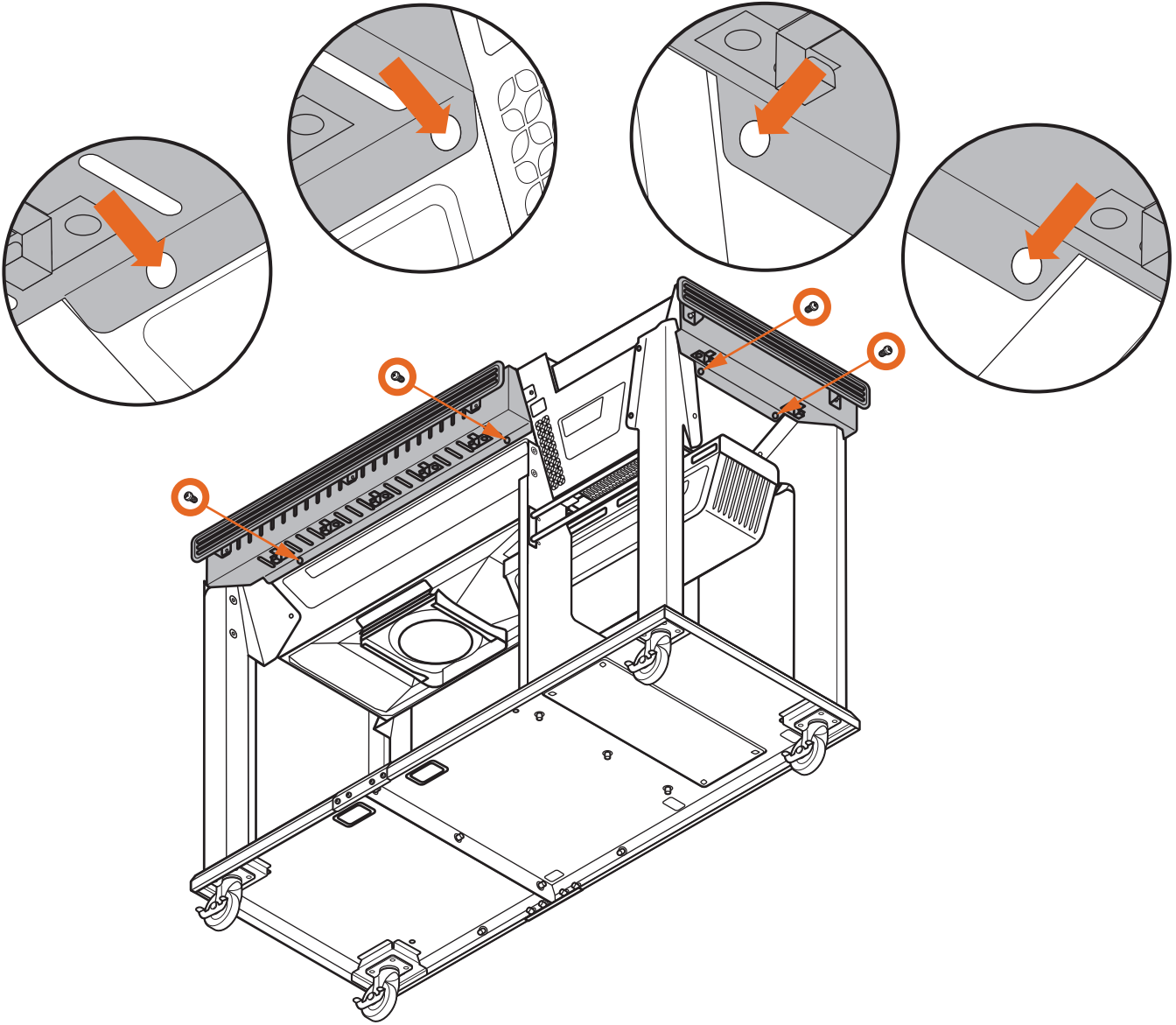





3 SECURE P.A.L. TRIM

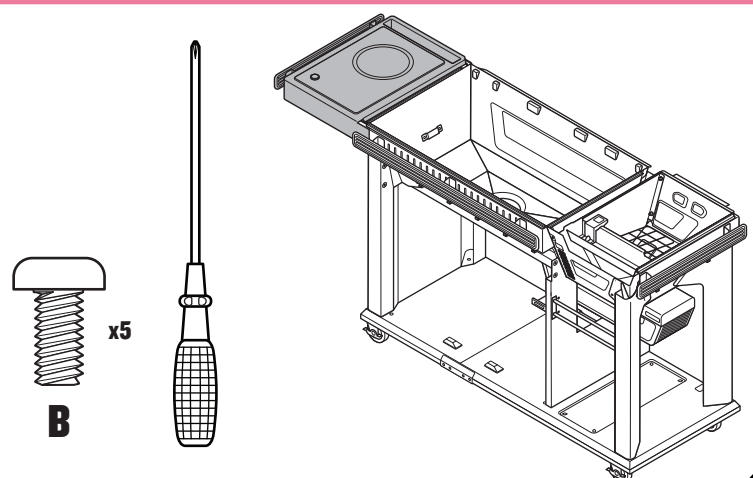


B x4

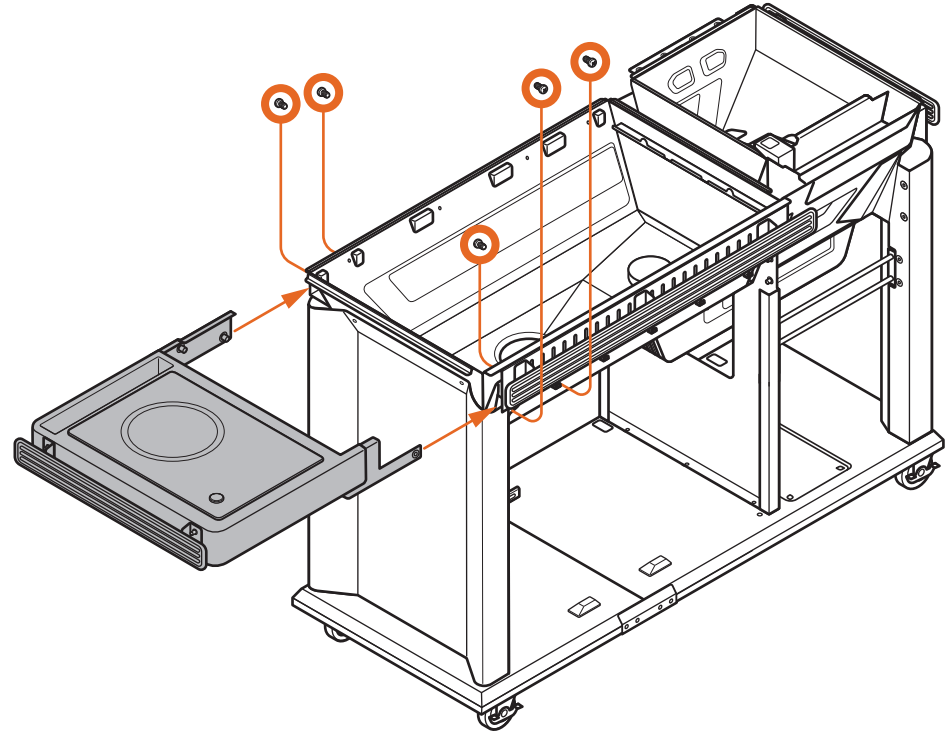
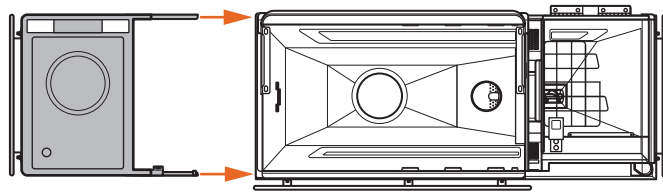




4 ATTACH SIDE BURNER



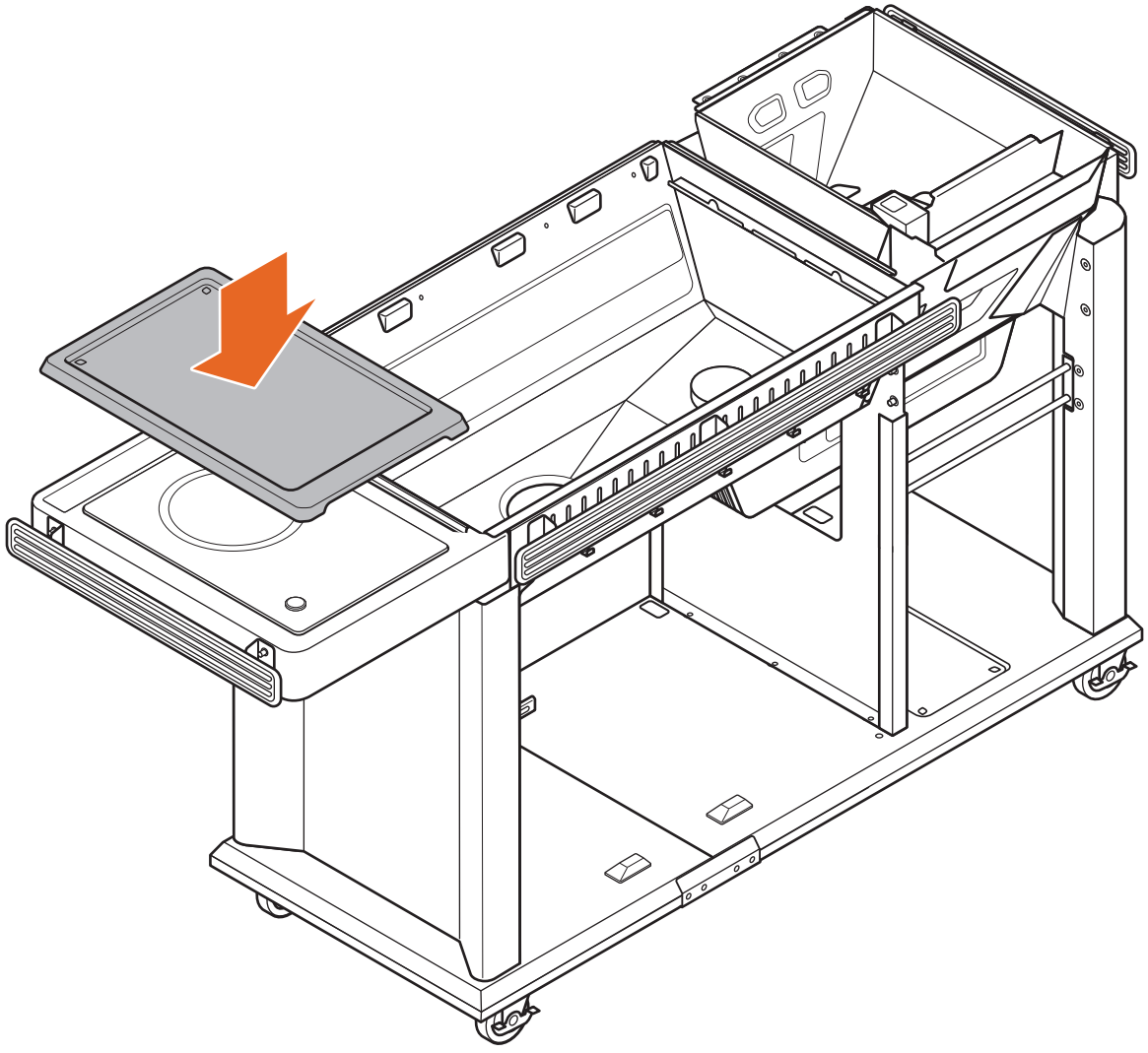
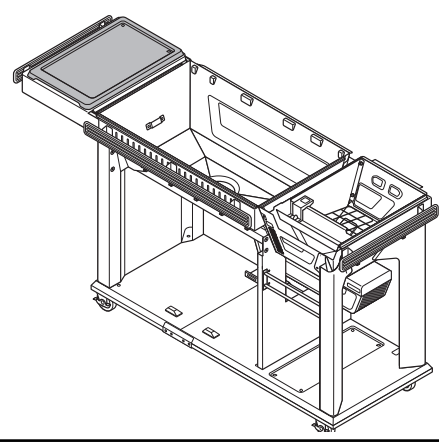
B x5

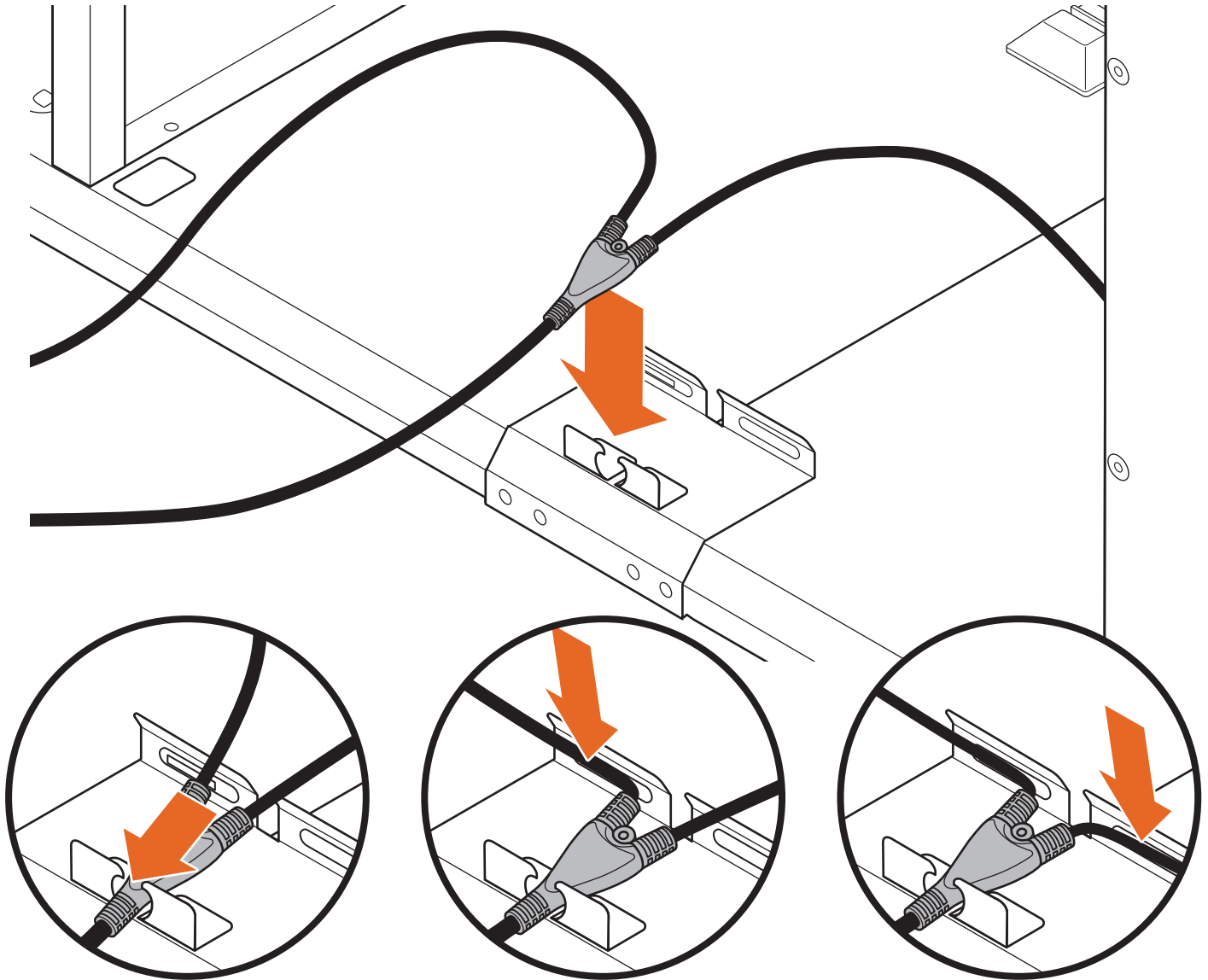
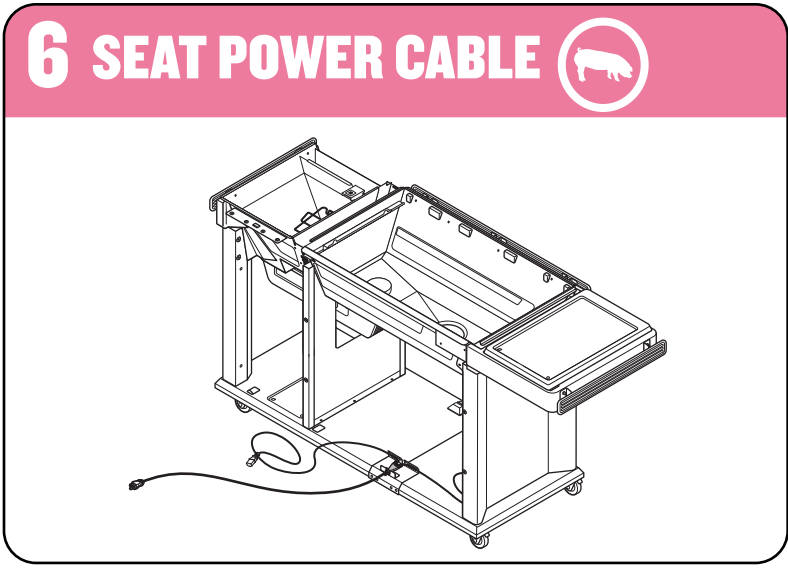




 **PRO TIP: DO NOT** cover the side burner while hot.
DO NOT use the side burner with the cover on.

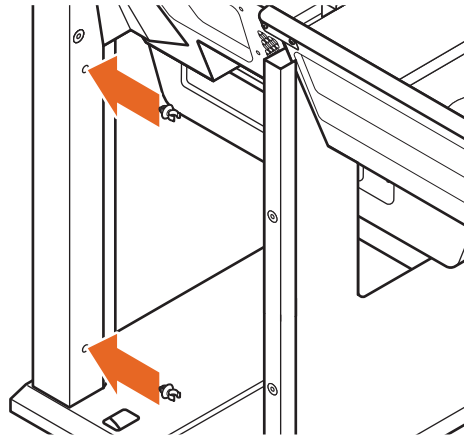
5 PLACE COVER ON SIDE BURNER



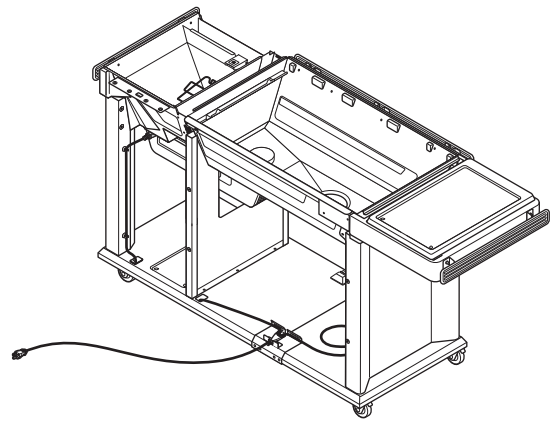
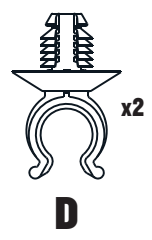




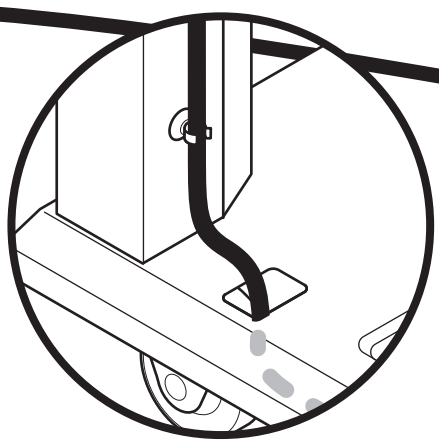
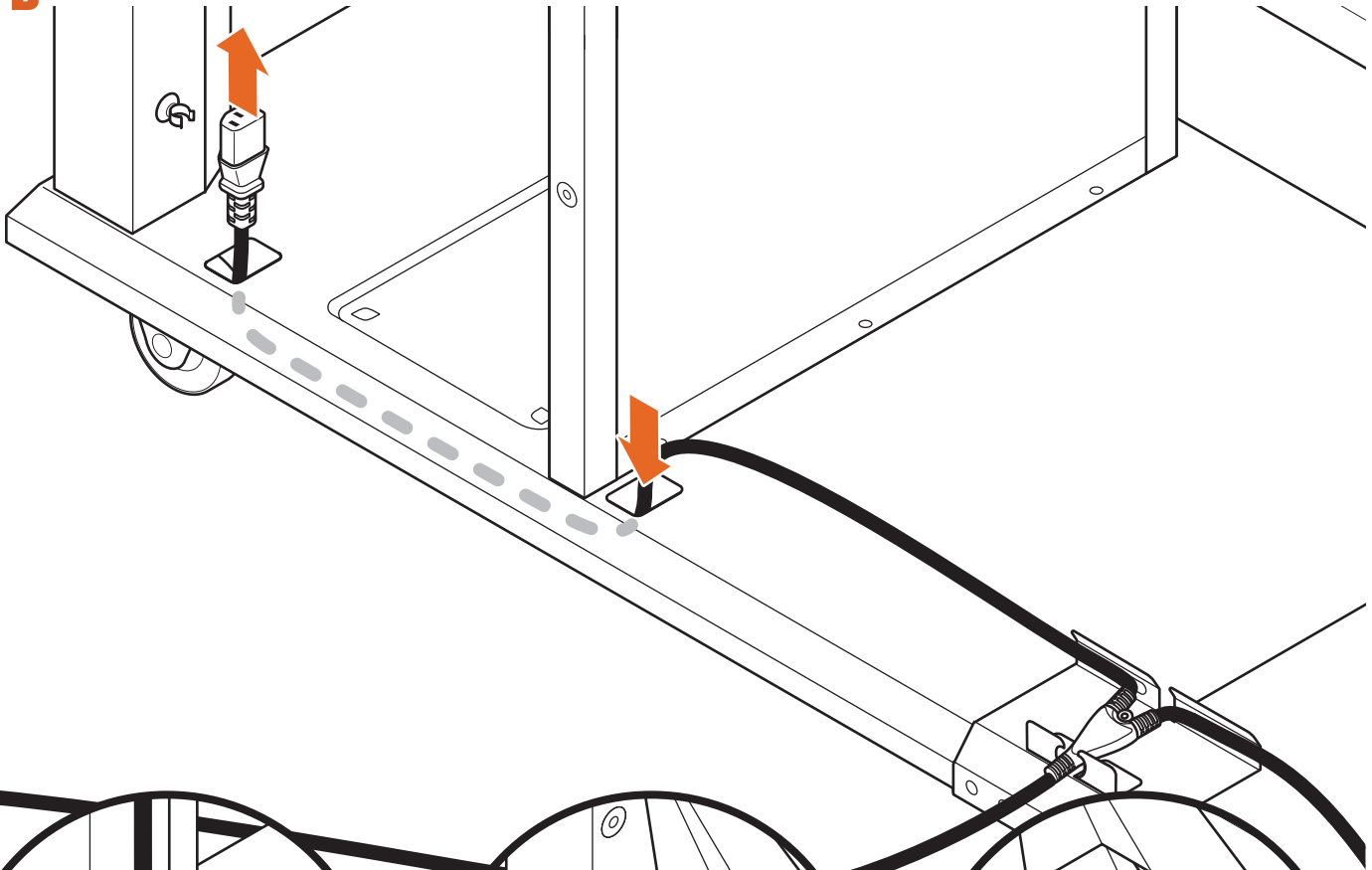
7A



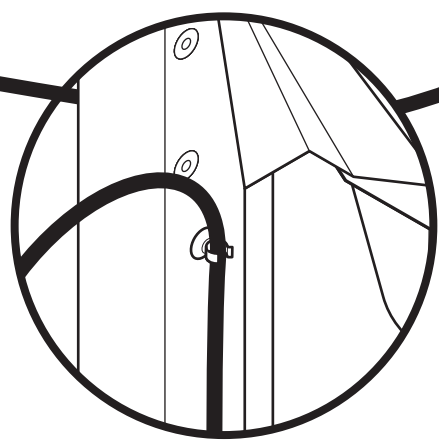
7 CONNECT CABLE TO AUGER BOX



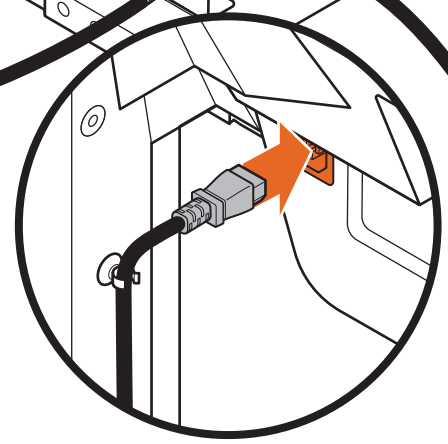
7B



7C




7D



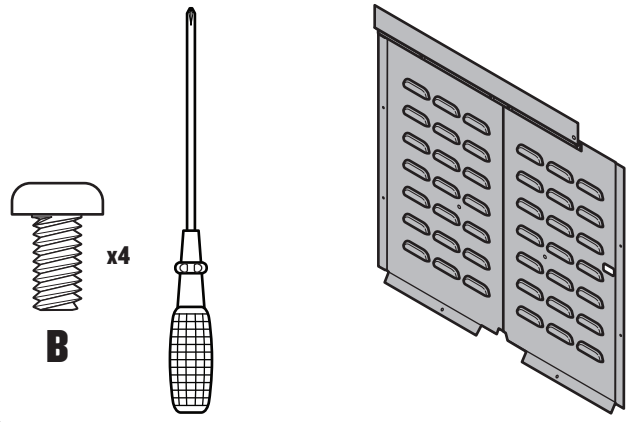
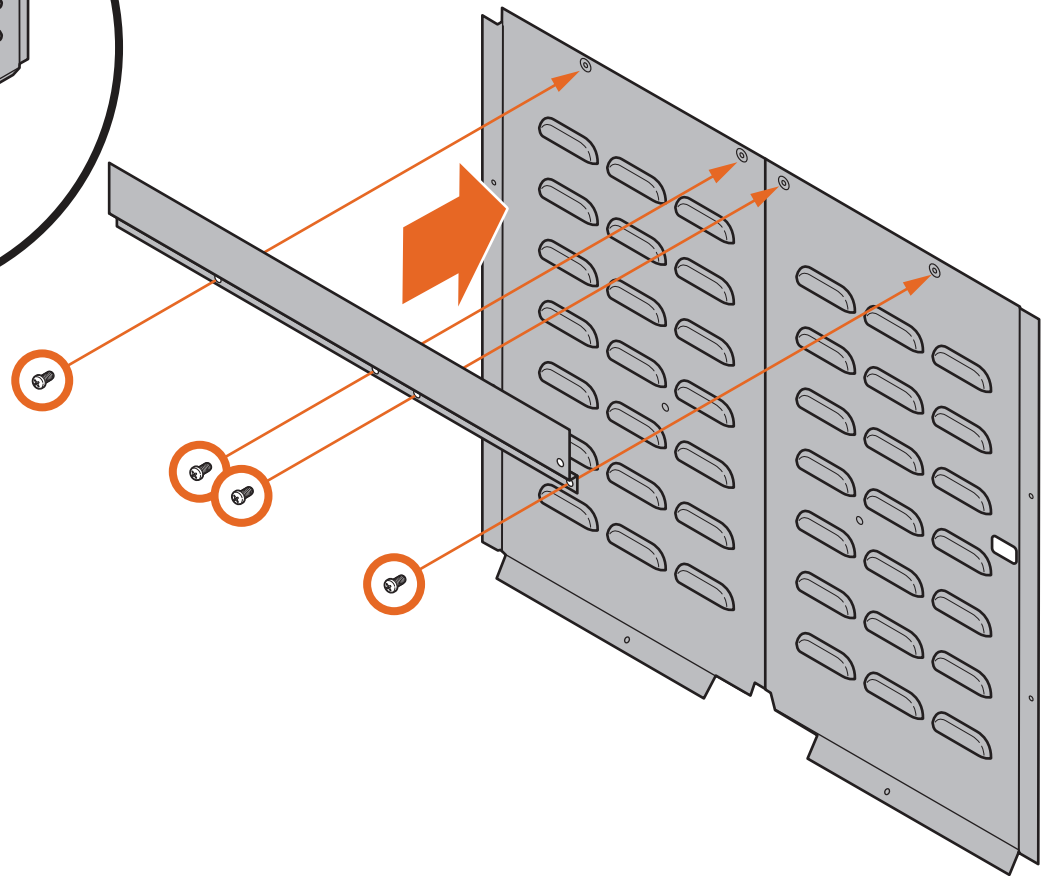
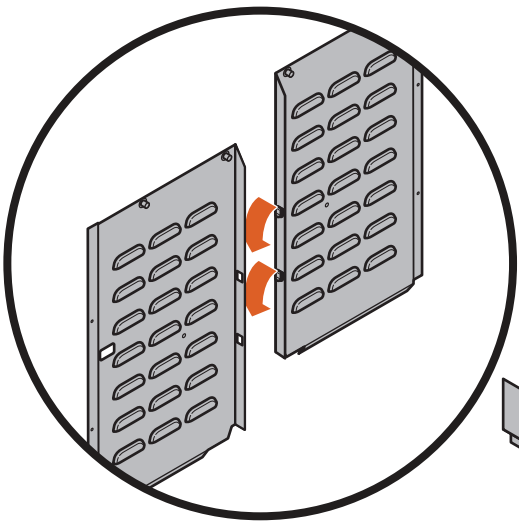
7E




PRO TIP: Have a second person help position rear panels.

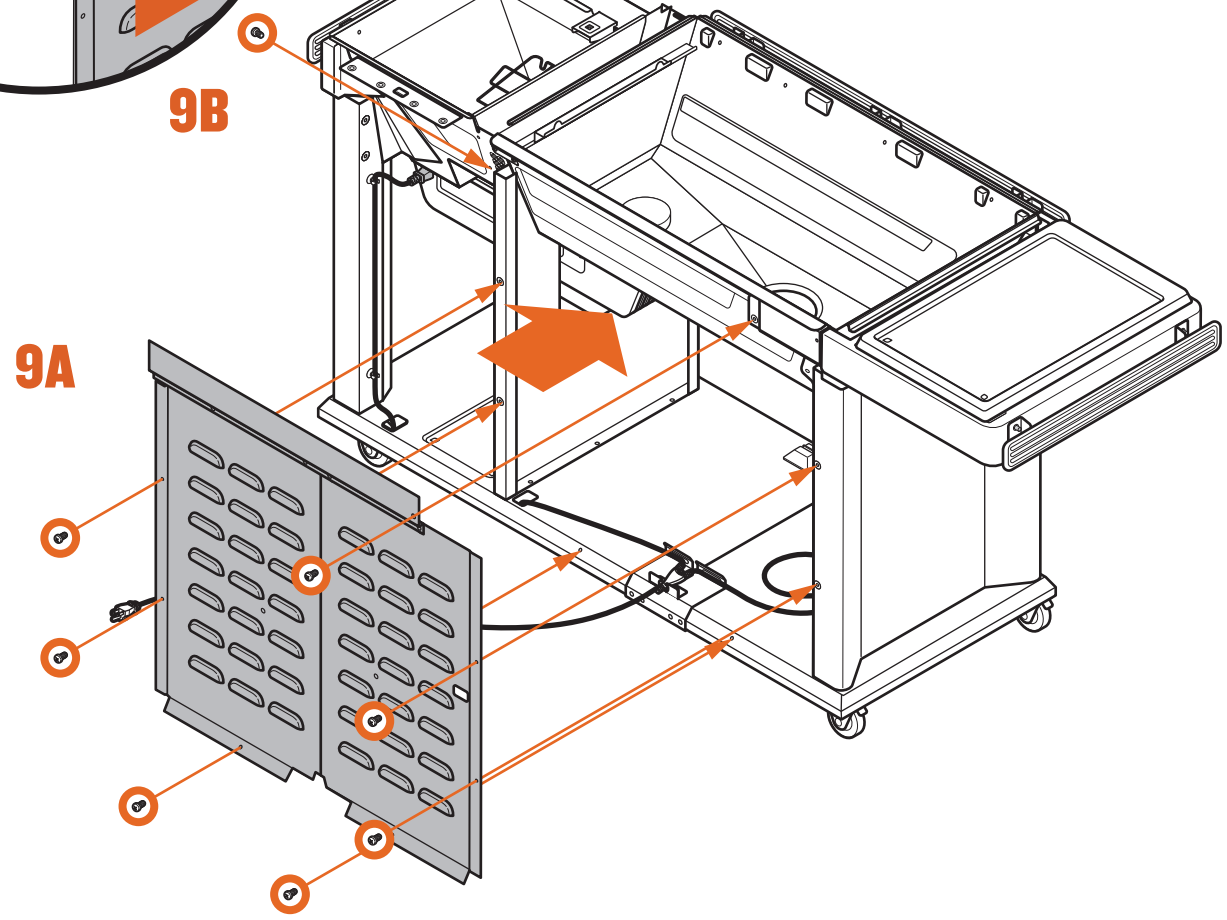
8 ASSEMBLE REAR PANELS AND TOP TRIM



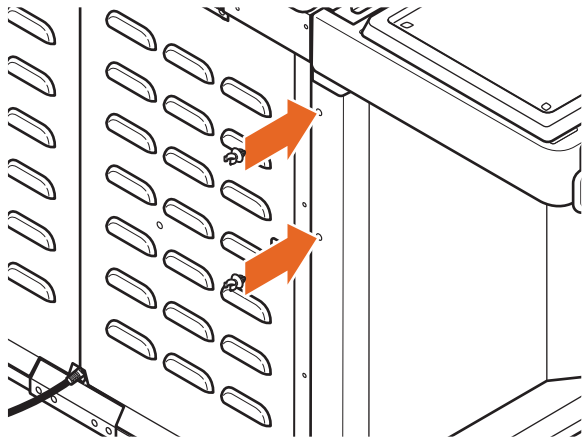
9 ATTACH REAR TOP TRIM/ REAR PANEL ASSEMBLY

 **PRO TIP:** Install the side screw last, pushing up on the rear panel while doing so.

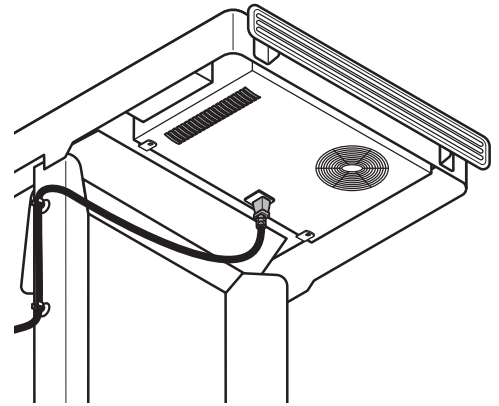
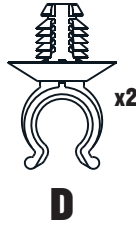




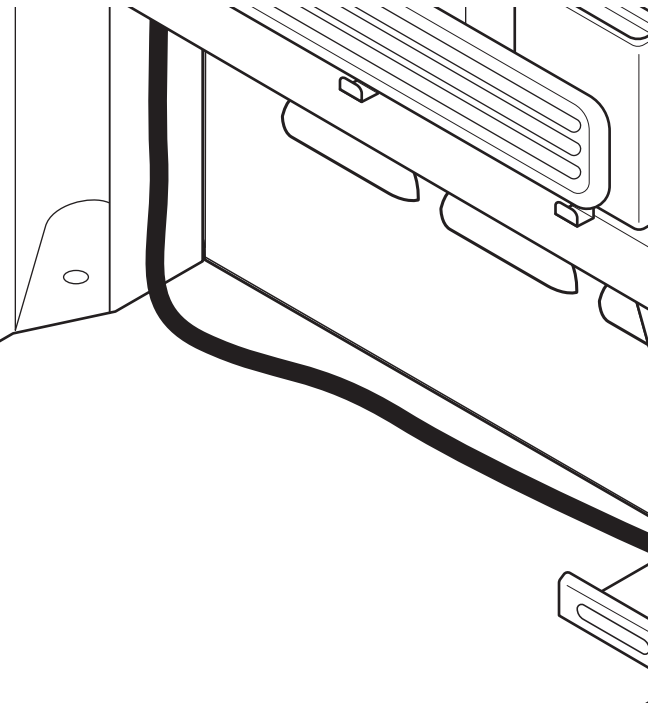
10A



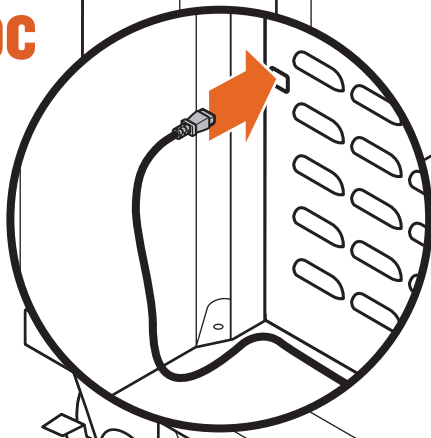
10 CONNECT CABLE TO SIDE BURNER



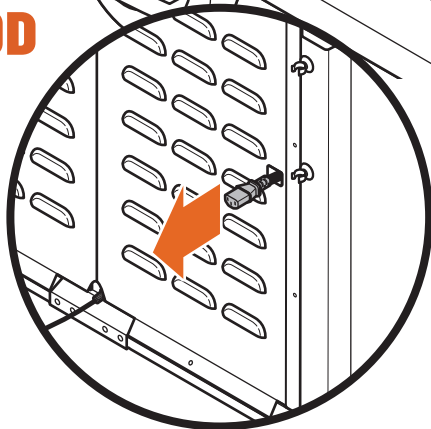
10B



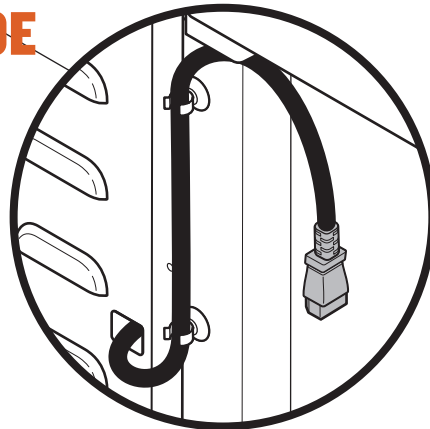
10C



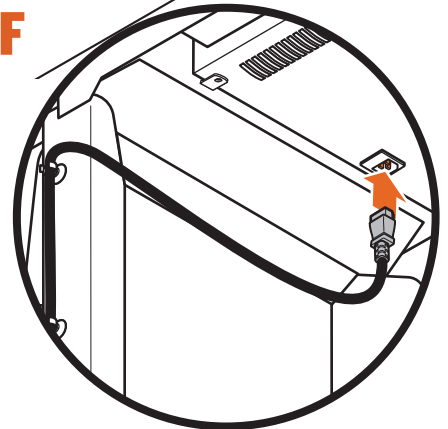
10D



10E



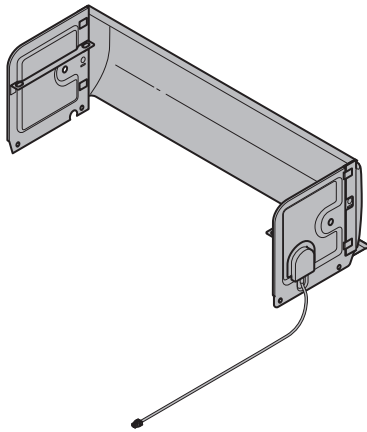
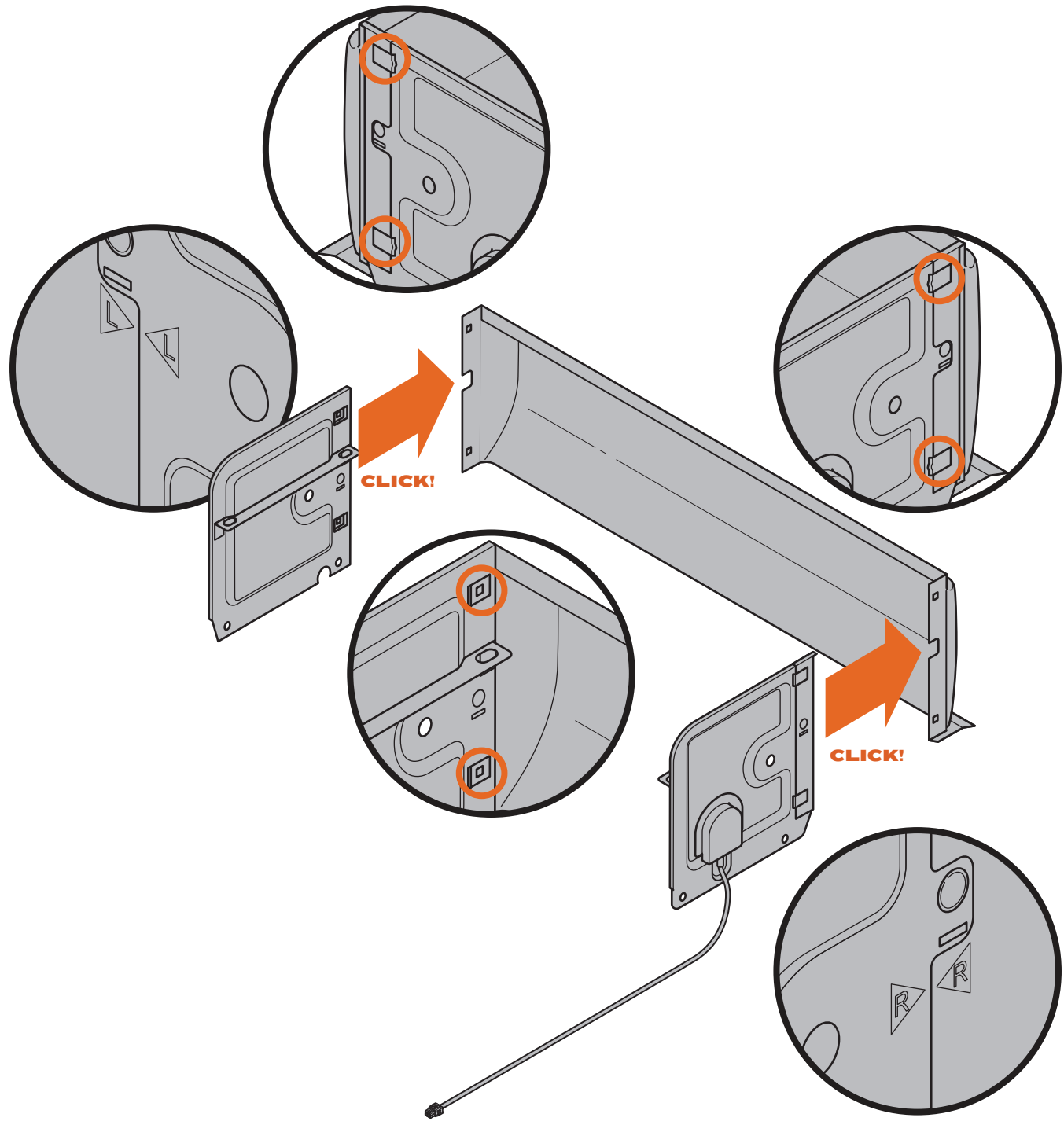
10F





 **PRO TIP:** This step requires no hardware.

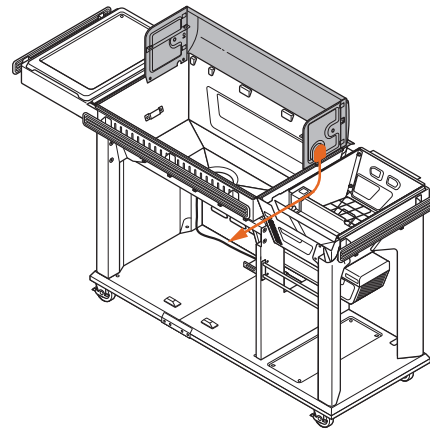
11 ASSEMBLE BACKSPLASH

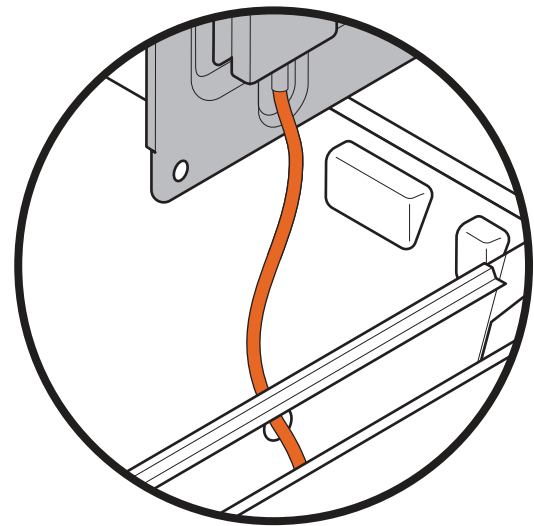
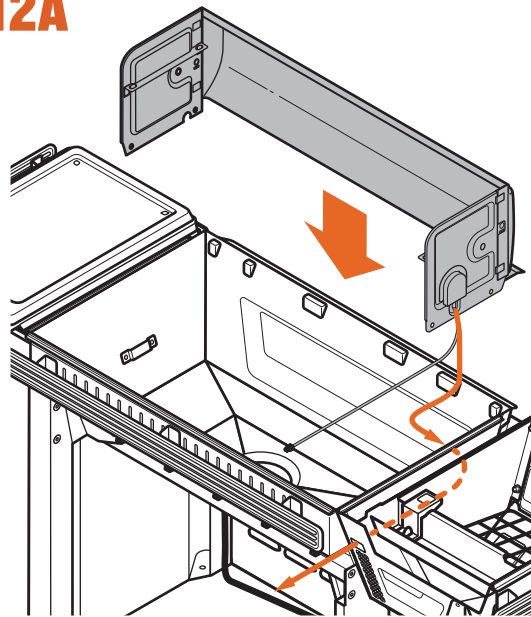


PRO TIP: Don't pinch the wire between the backsplash and the grill body! Also, slide the wire through the openings carefully to prevent damage!

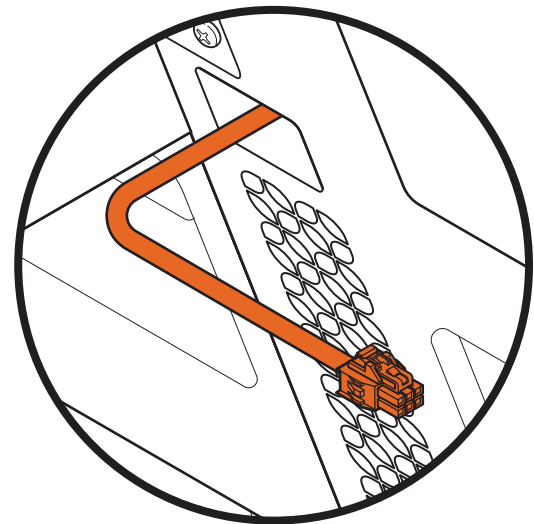
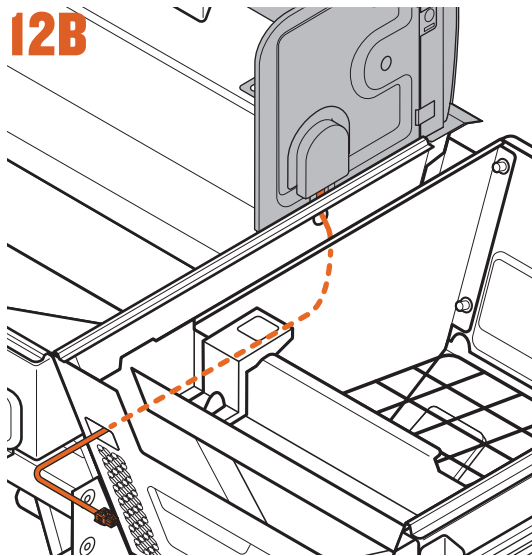
12 ROUTE BACKSPLASH WIRING



12A

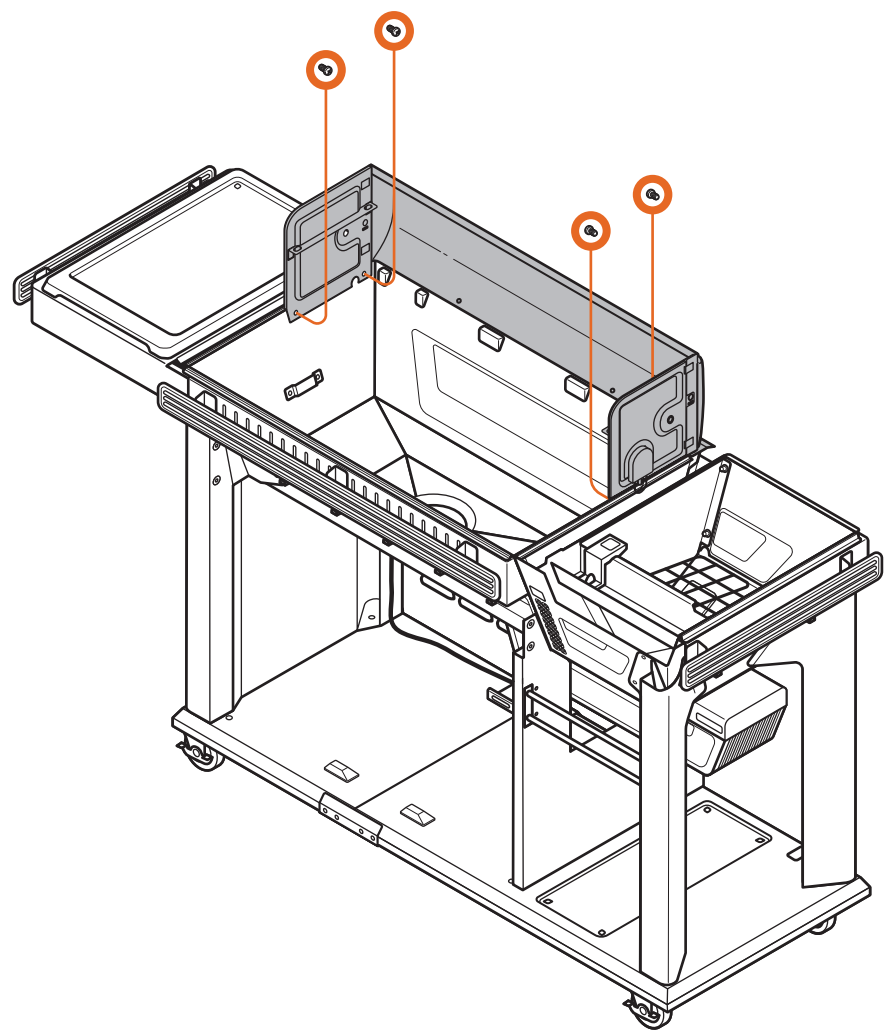
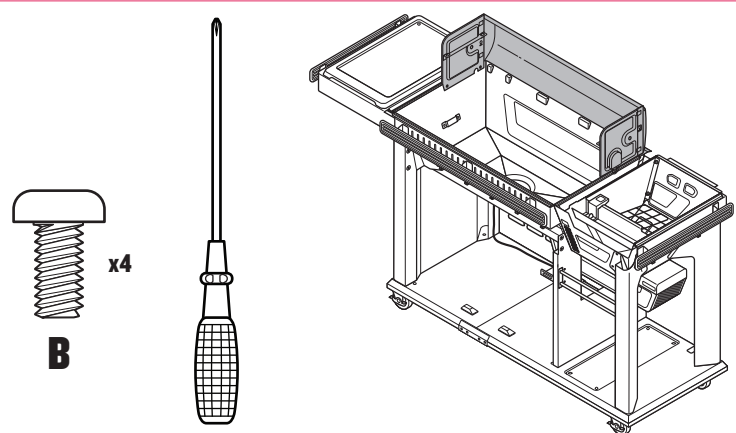


12B



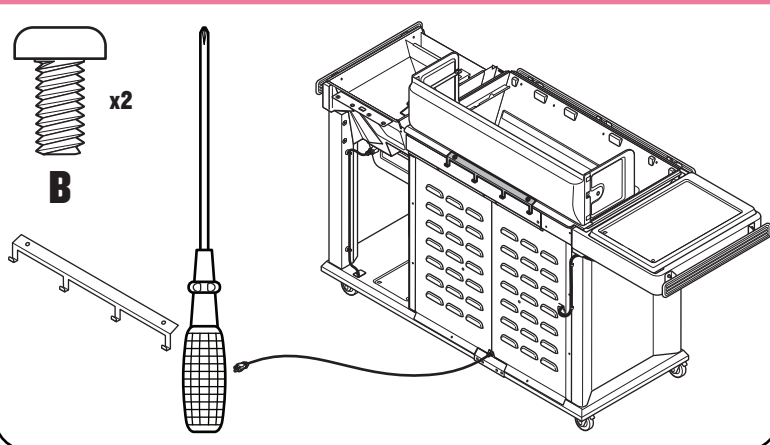


13 ATTACH BACKSPLASH

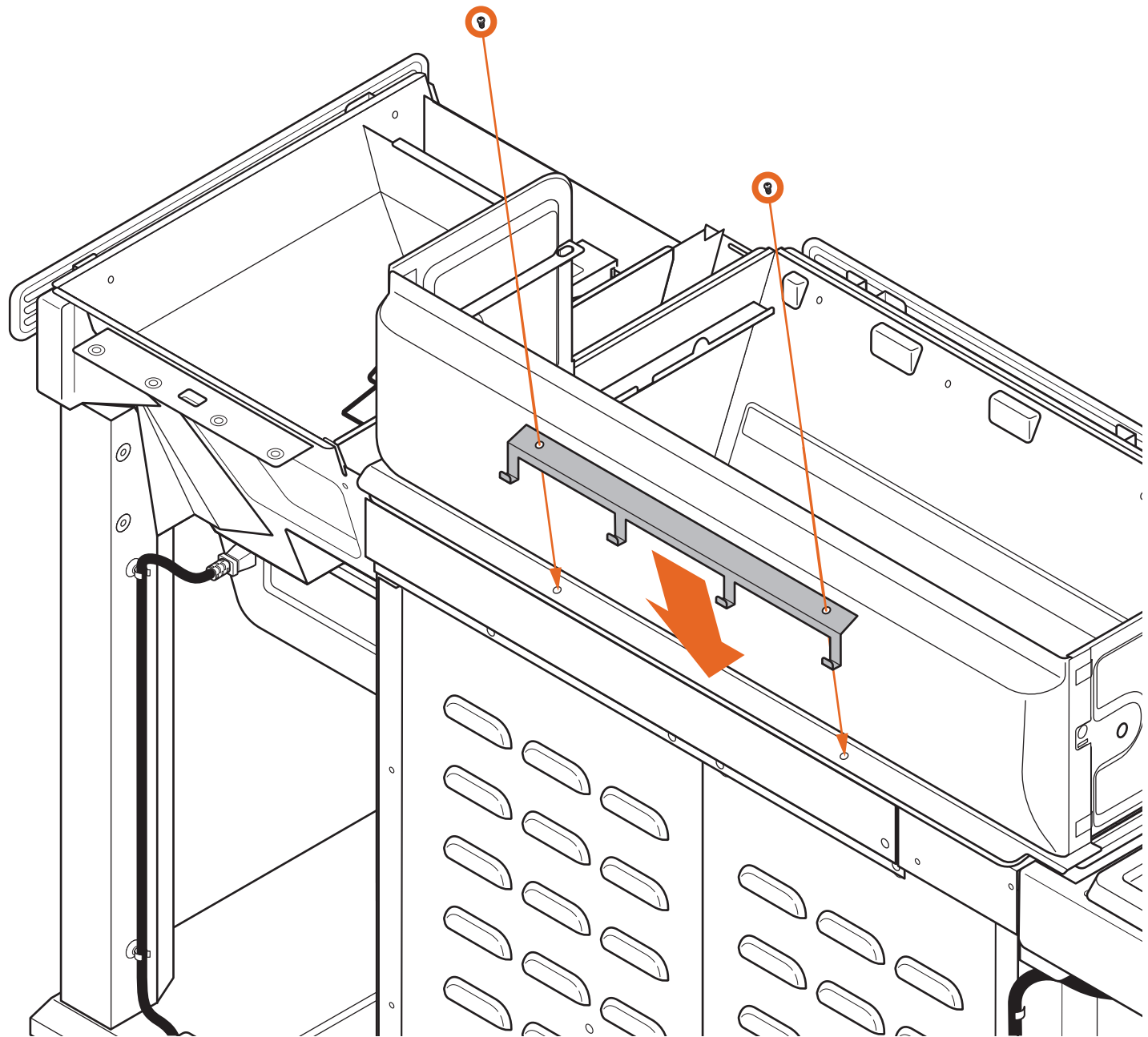




14 INSTALL REAR HOOKS



B x2



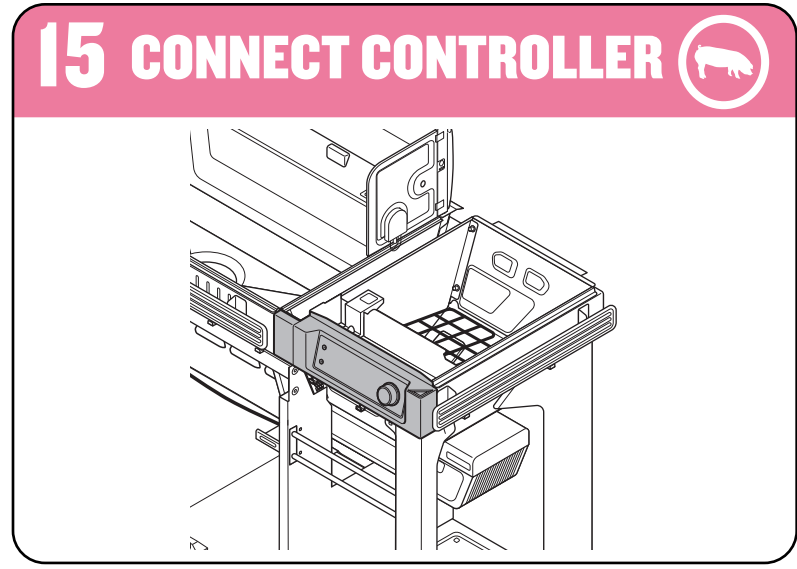
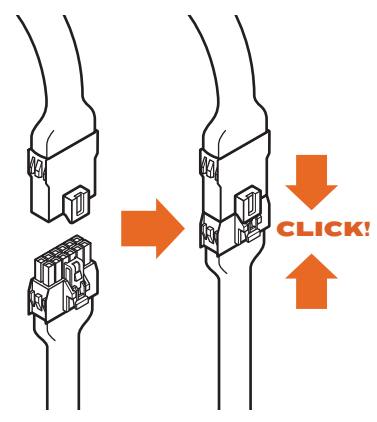
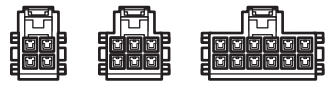


15 CONNECT CONTROLLER

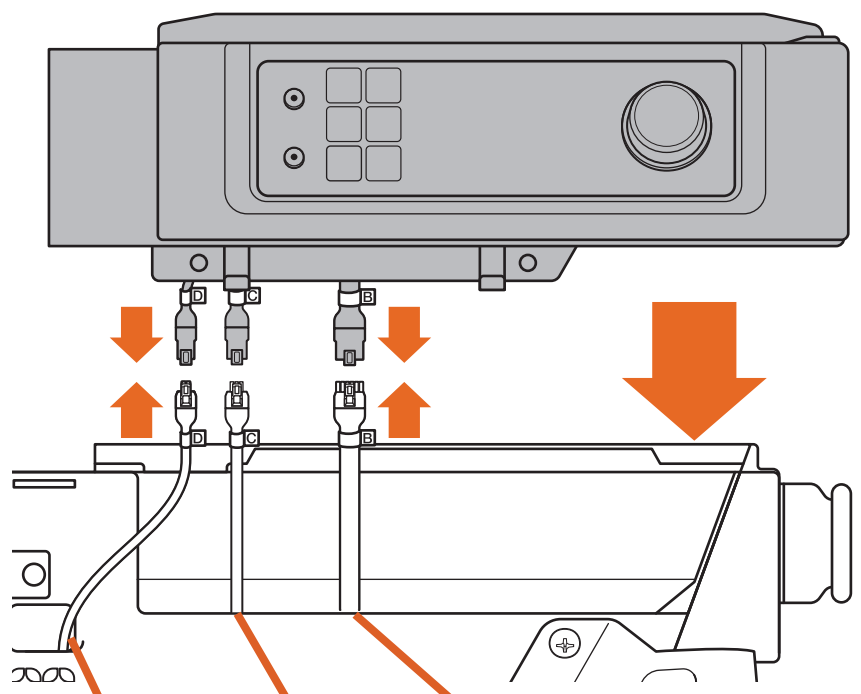
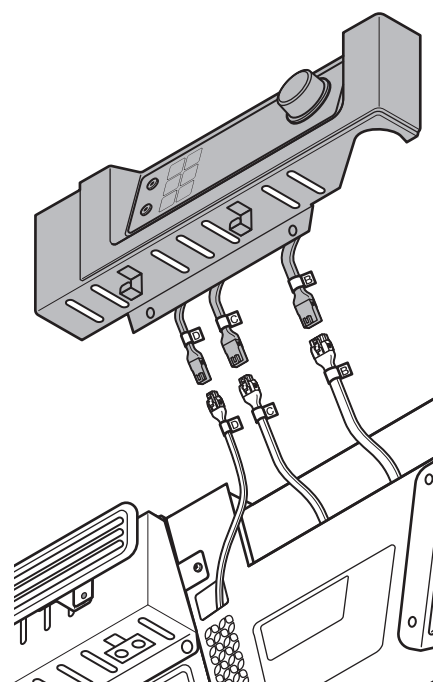
RTD SENSOR
4-PIN
CONNECTOR

CONTROLLER
12-PIN
CONNECTOR

PELLET LEVEL
SENSOR 6-PIN
CONNECTOR



 **PRO TIP:** For easier connecting, lay the controller on its back on the edge of the hopper.



RTD SENSOR
4-PIN CONNECTOR

PELLET LEVEL
SENSOR 6-PIN
CONNECTOR

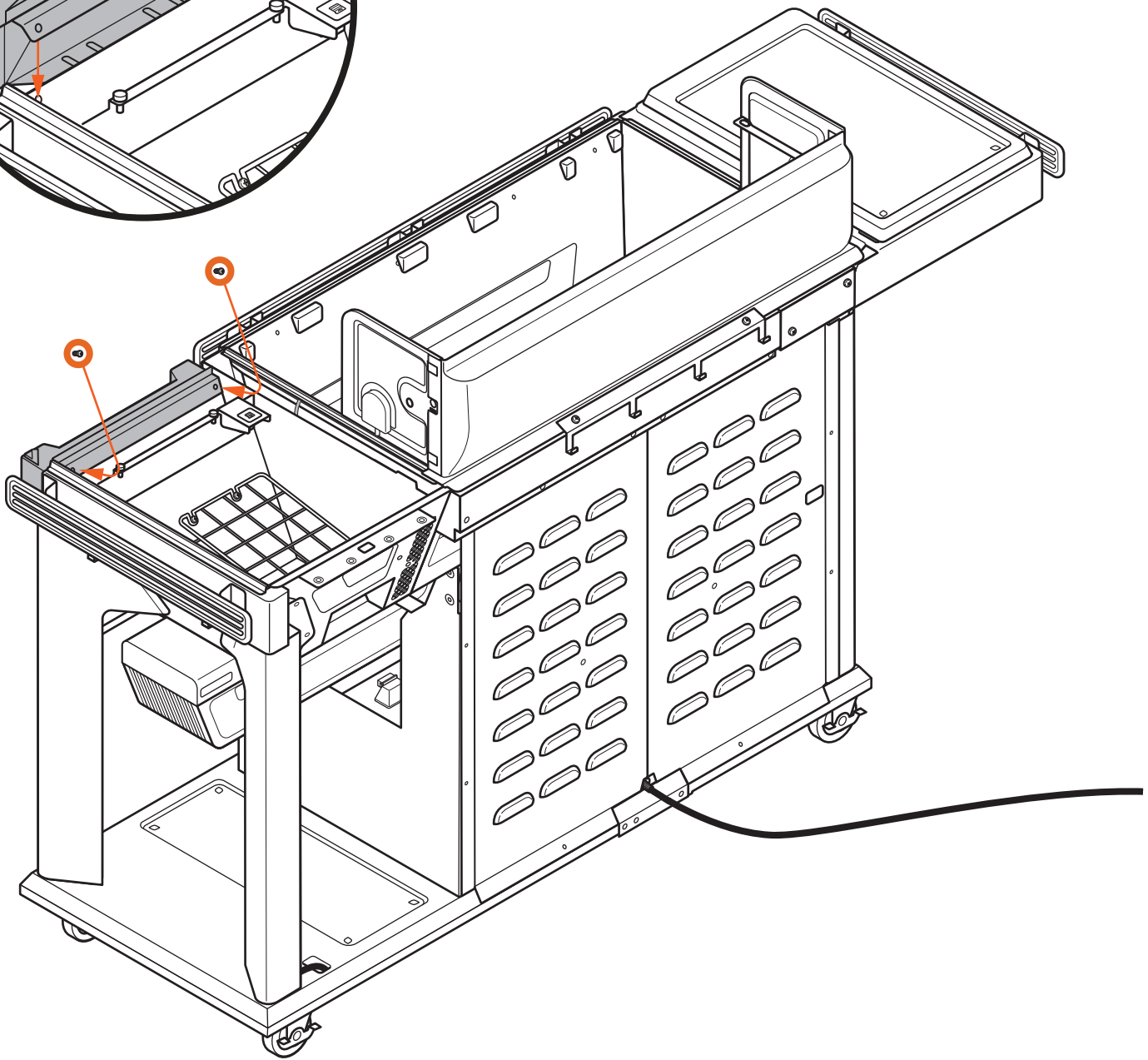
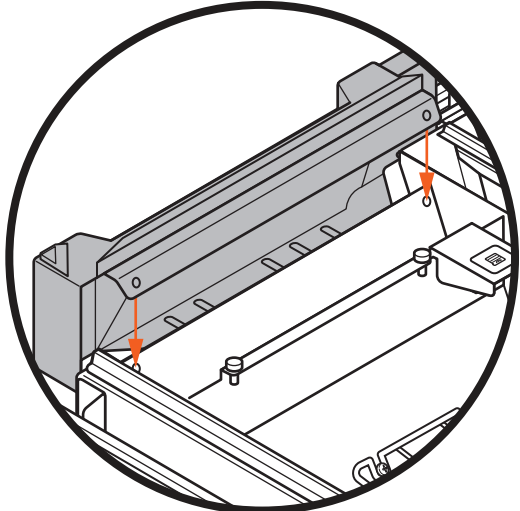
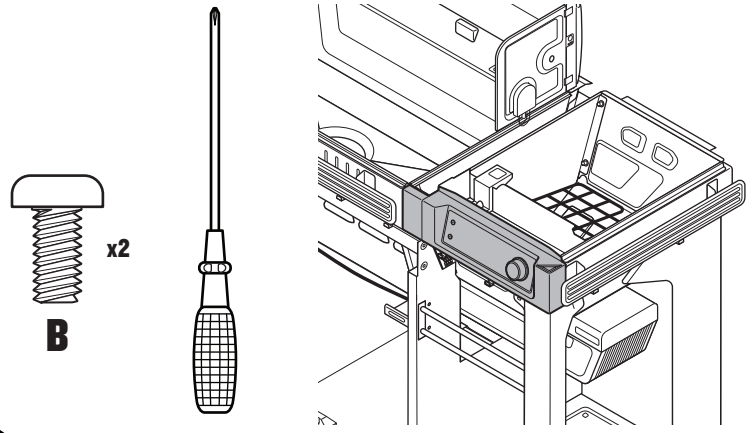
CONTROLLER
12-PIN CONNECTOR



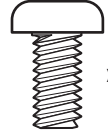
 **PRO TIP:** After connecting, tuck wires back into grill to prevent pinching them.



16A ATTACH CONTROLLER

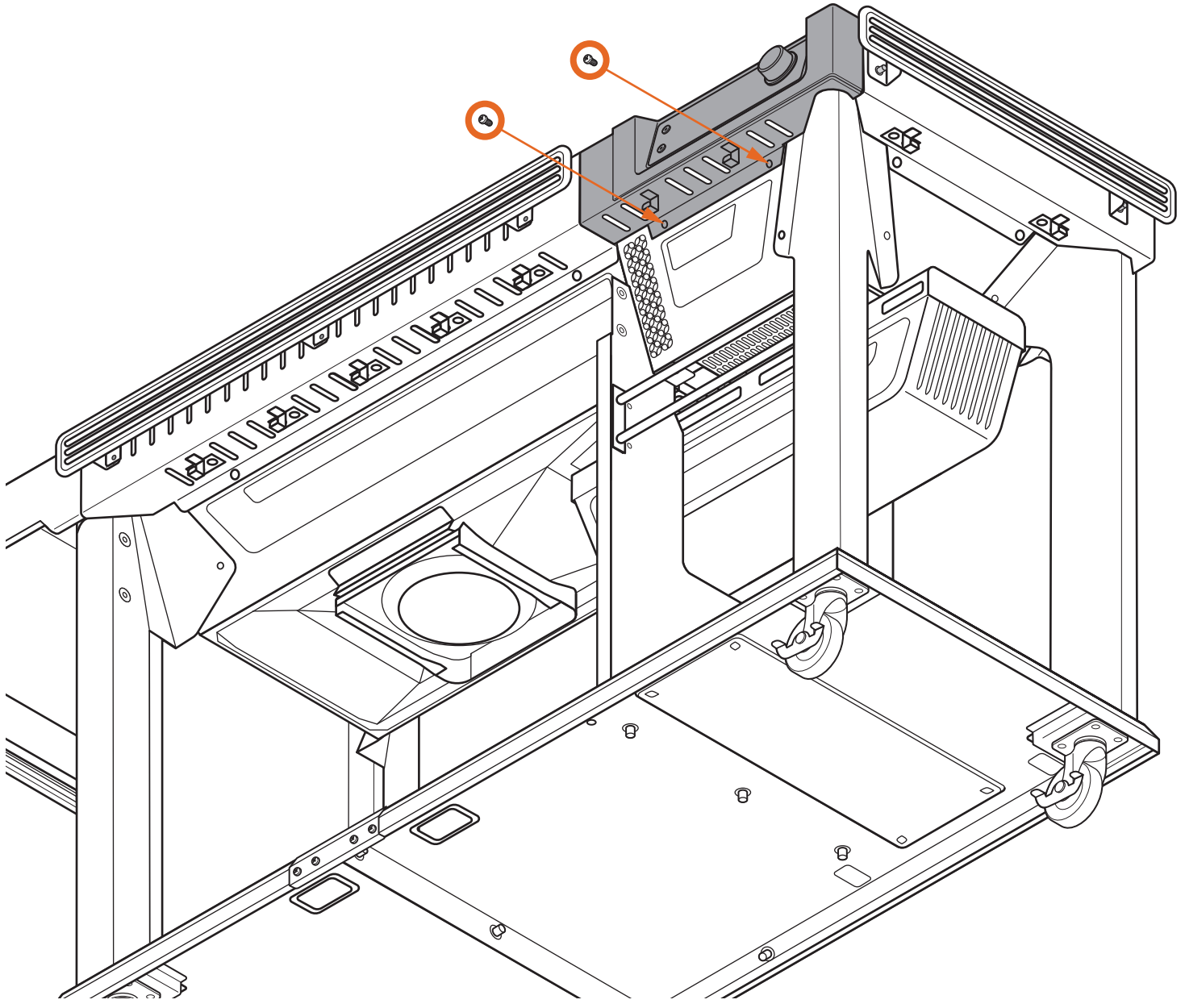
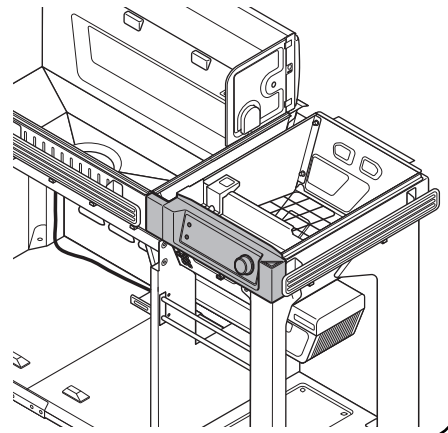
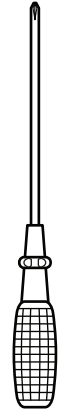


16B ATTACH CONTROLLER



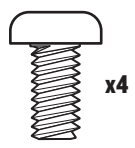
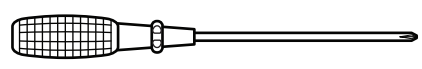
x2

B

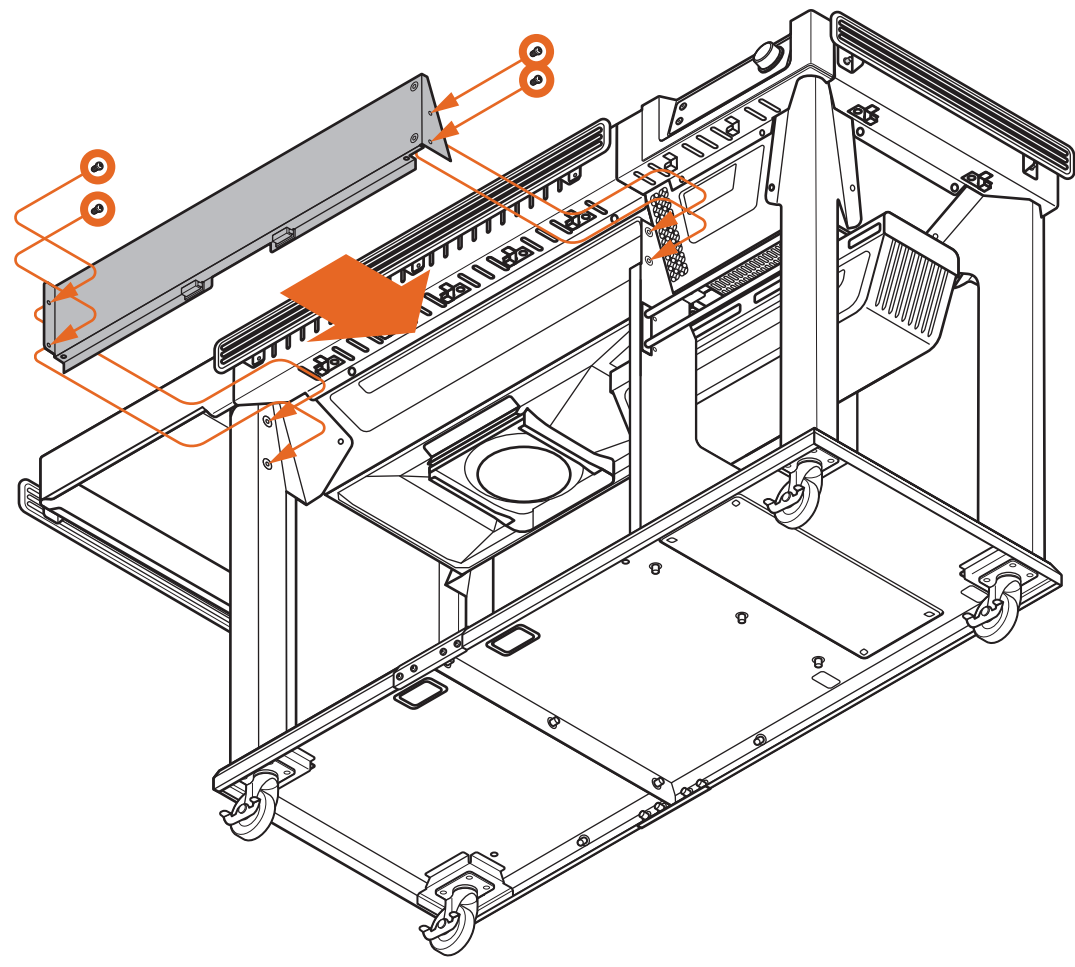
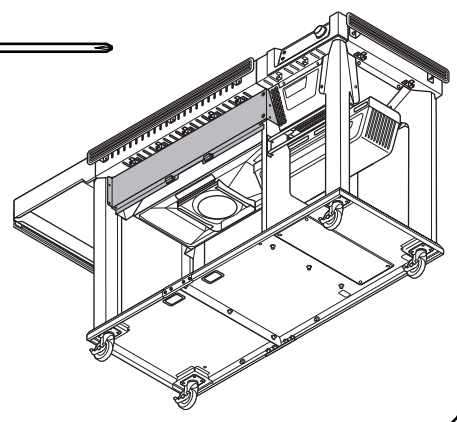




17 ATTACH FRONT TRIM

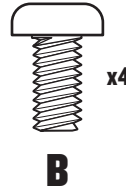


B

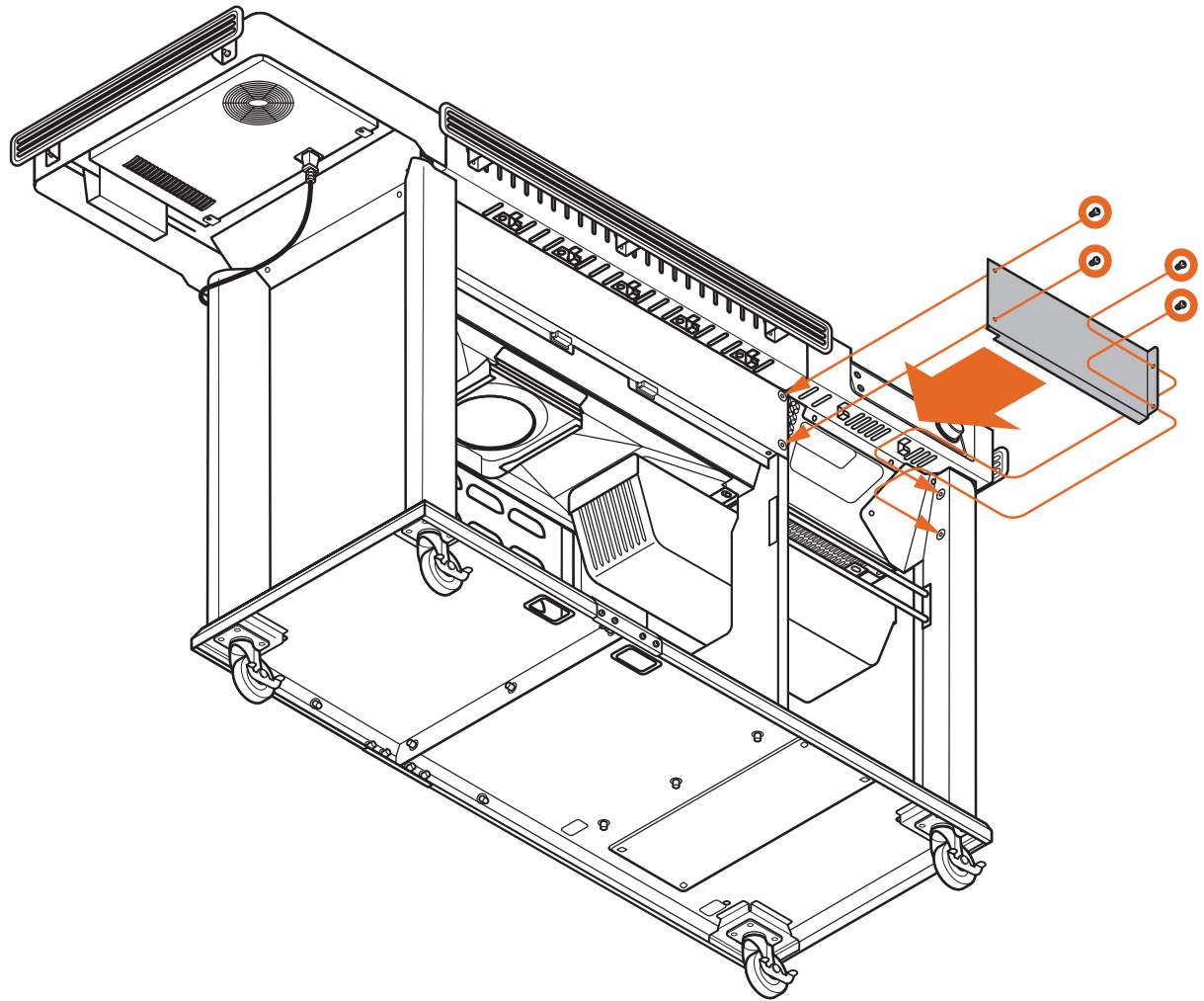
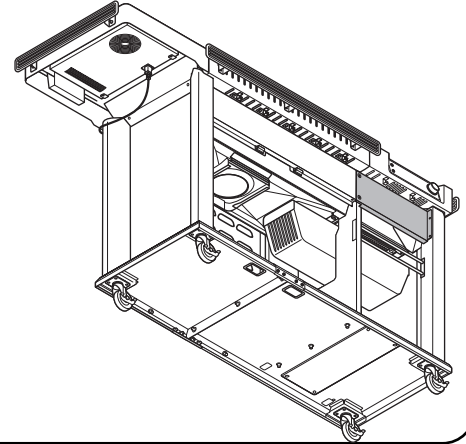
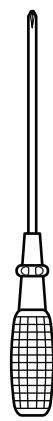




18 ATTACH FRONT RIGHT TRIM

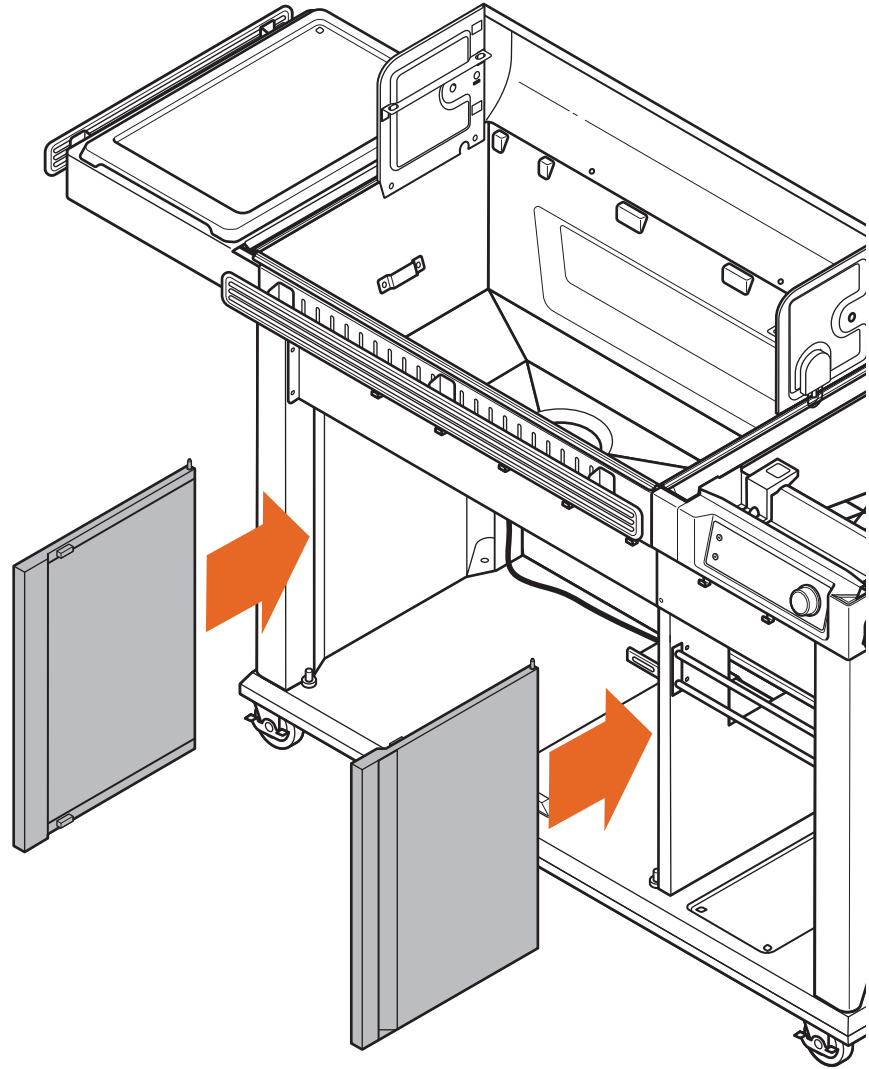
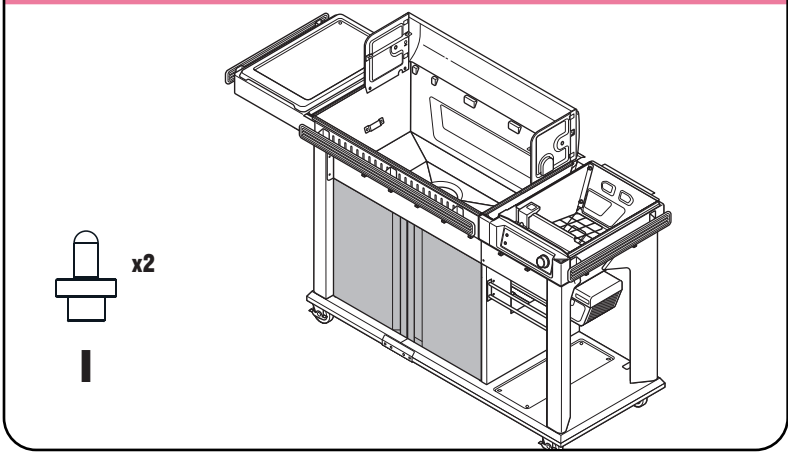
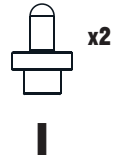
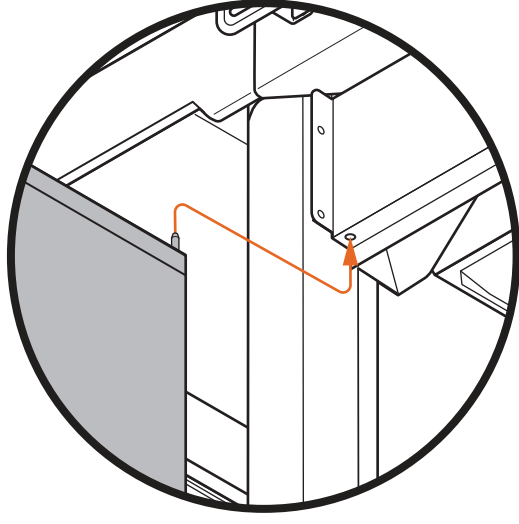
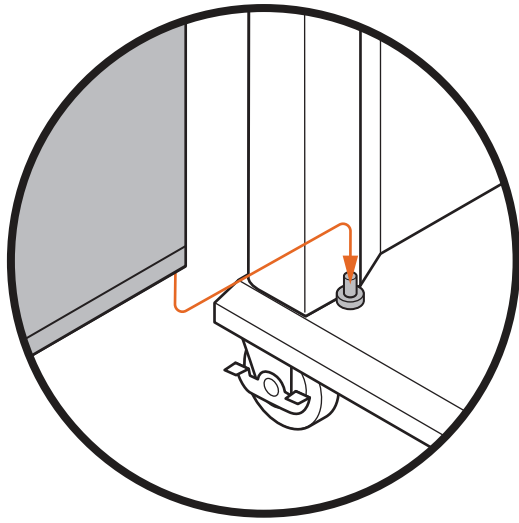
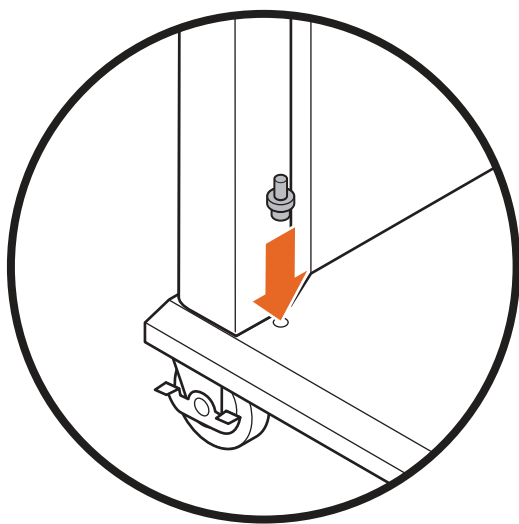


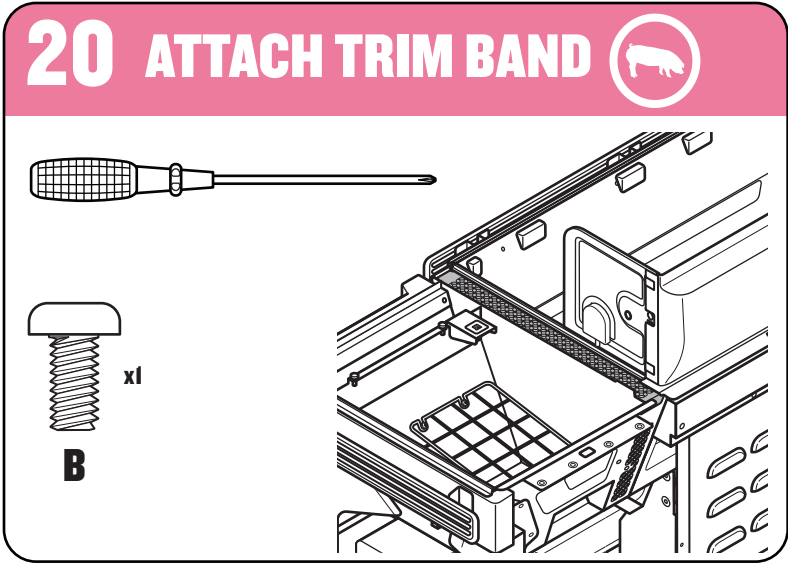
x4



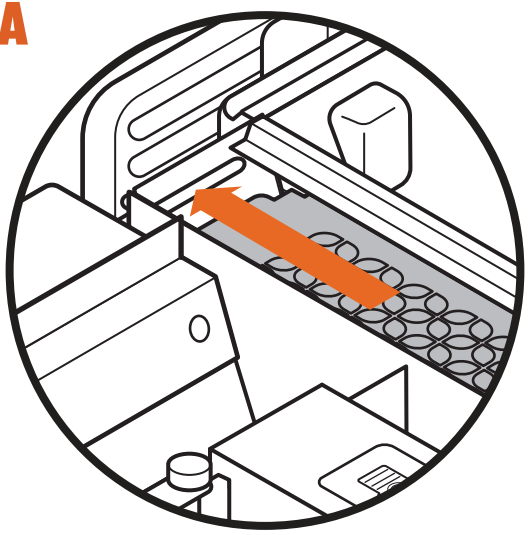


19 ATTACH DOORS

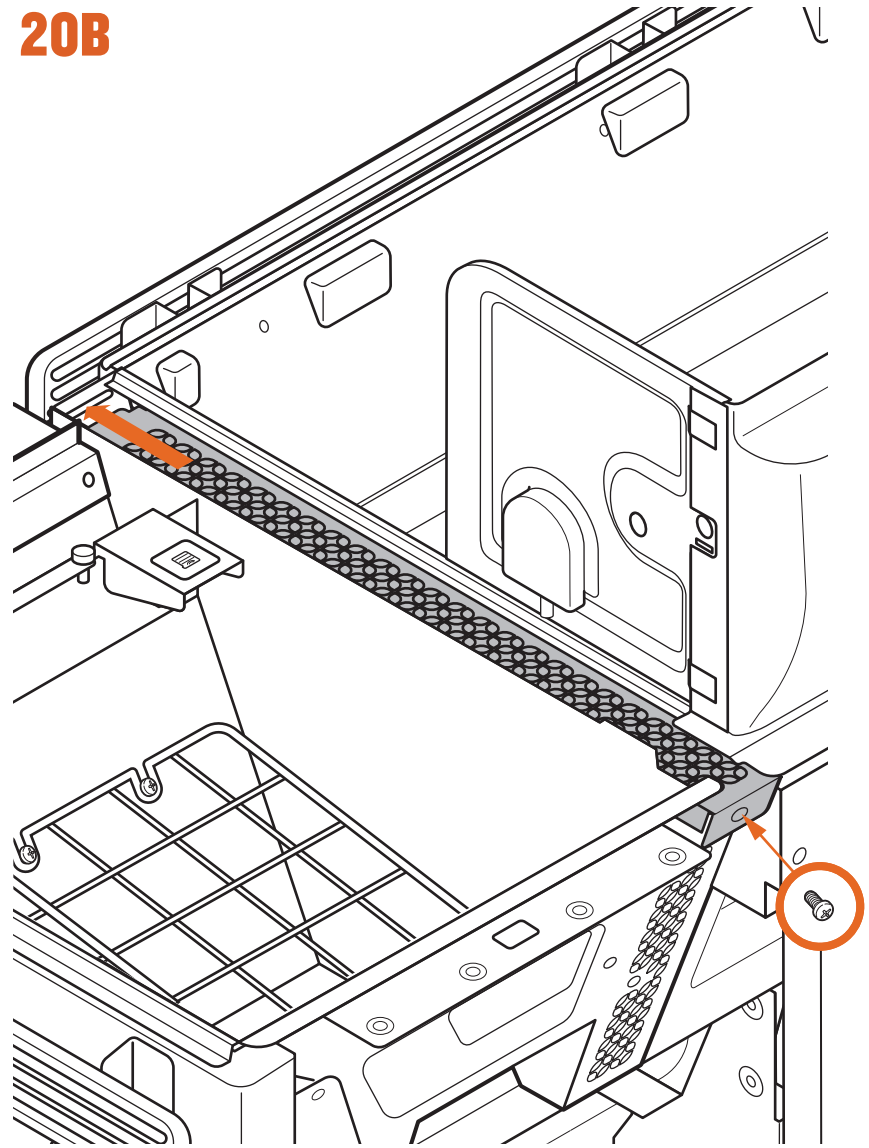




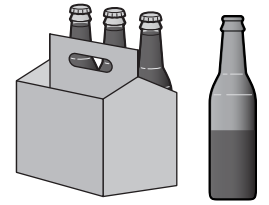
20A



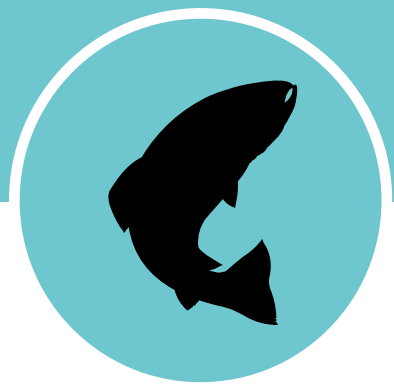
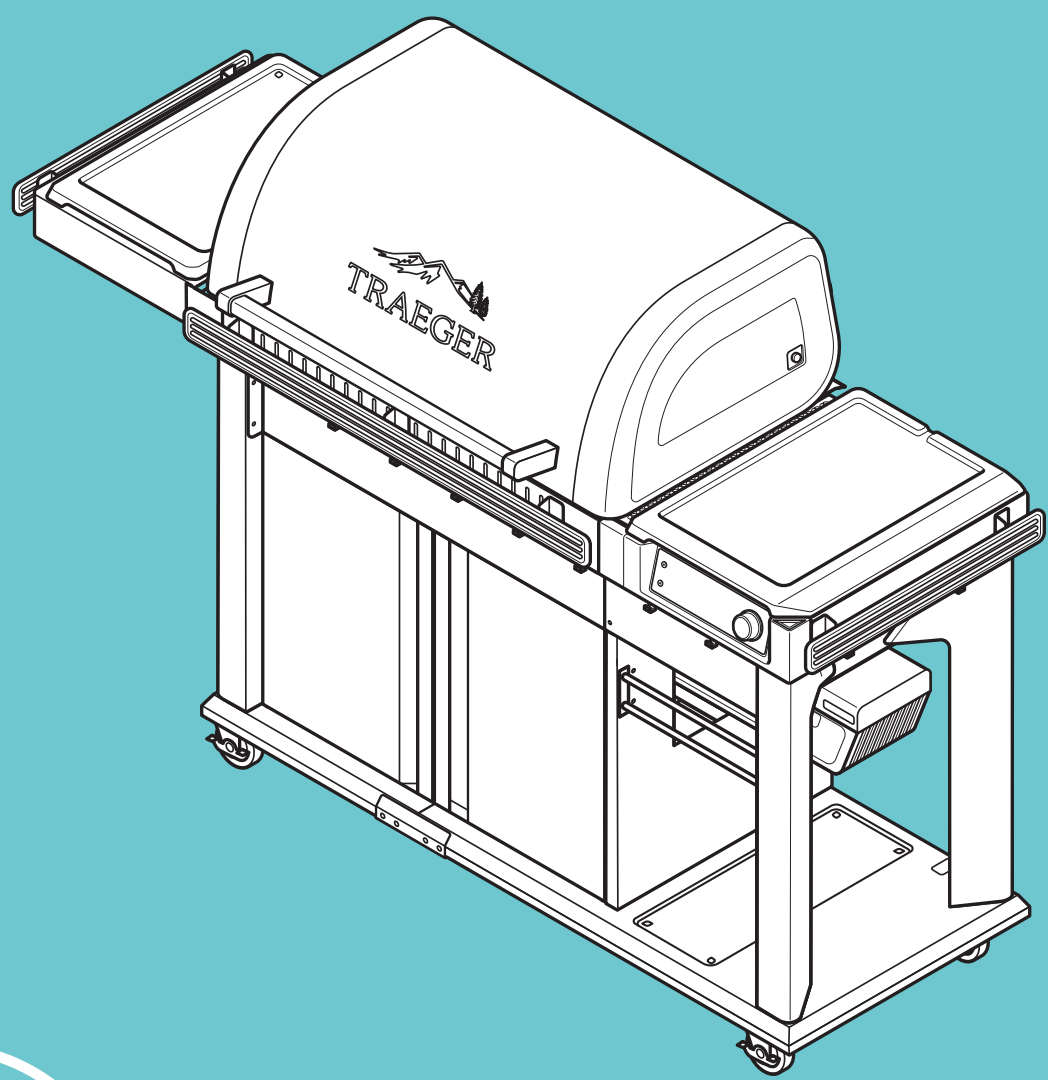
20B



**NICE WORK!
CHAPTER 3 COMPLETE!**

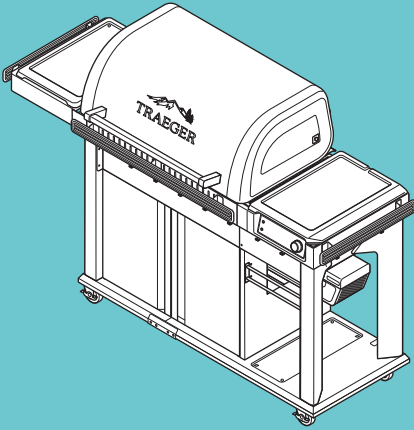


CHAPTER 4

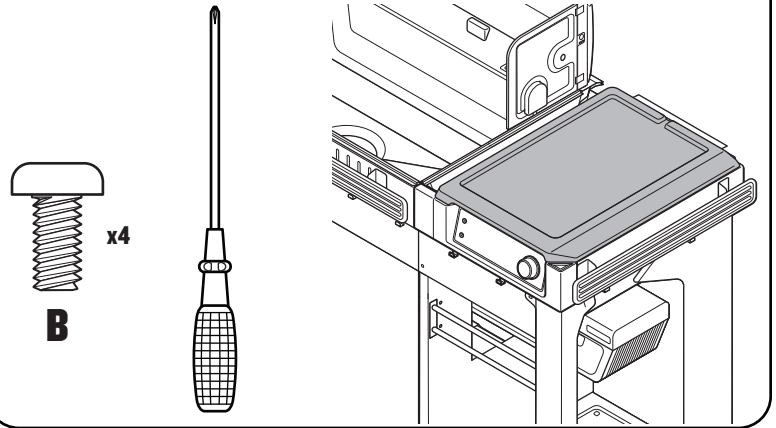


LID & GRILL INTERNALS

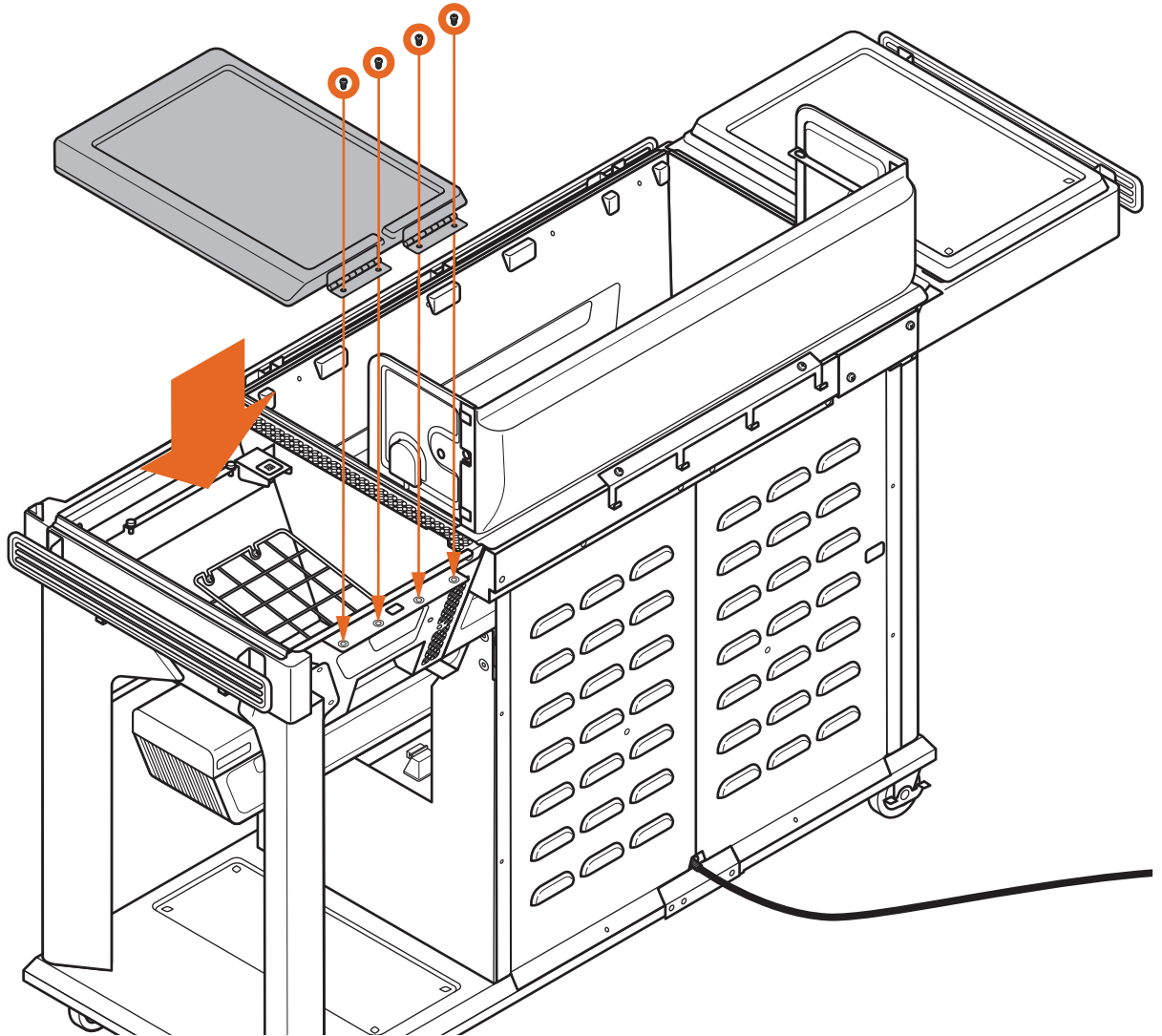
CHAPTER 4



1 ATTACH HOPPER LID

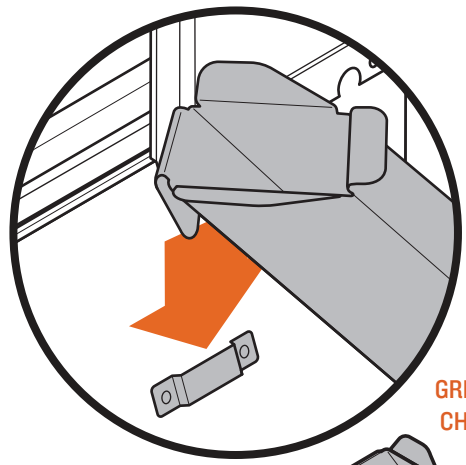
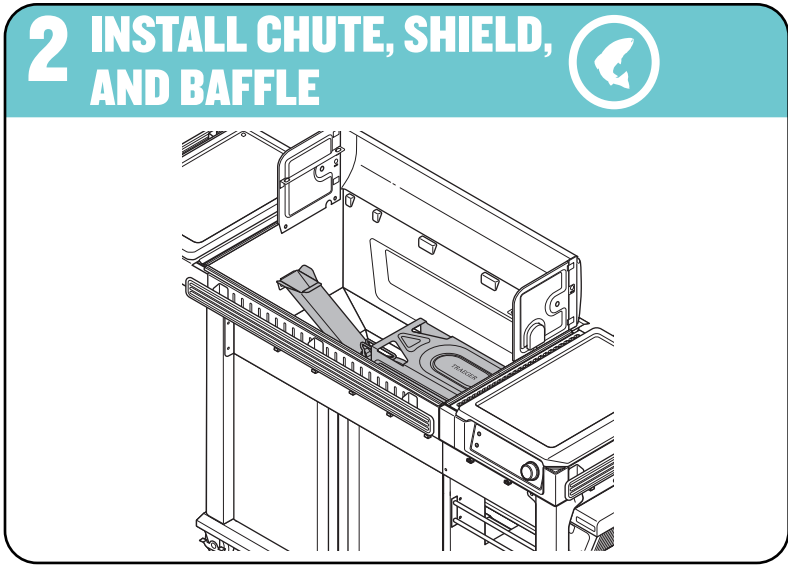
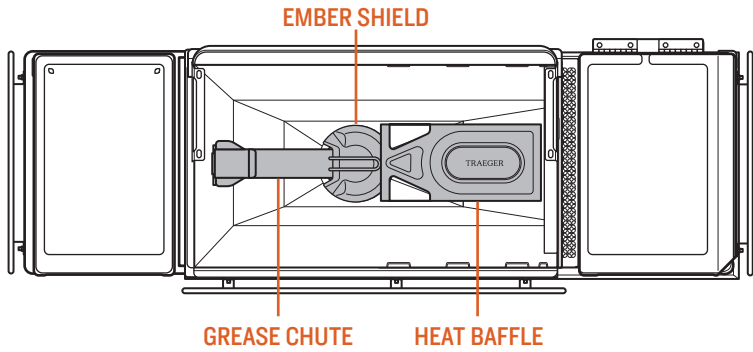


PRO TIP: Hand-tighten all screws first, then finish tightening with screwdriver.



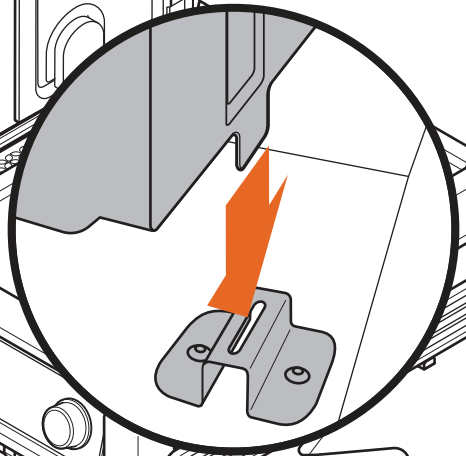
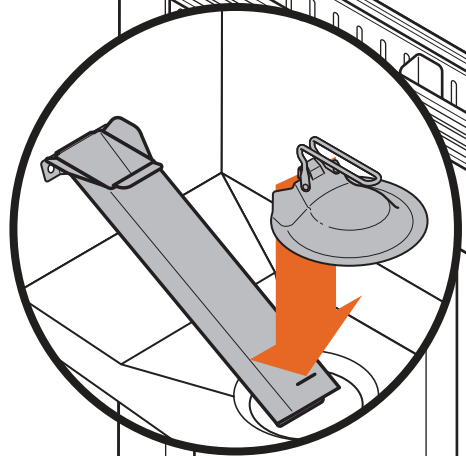
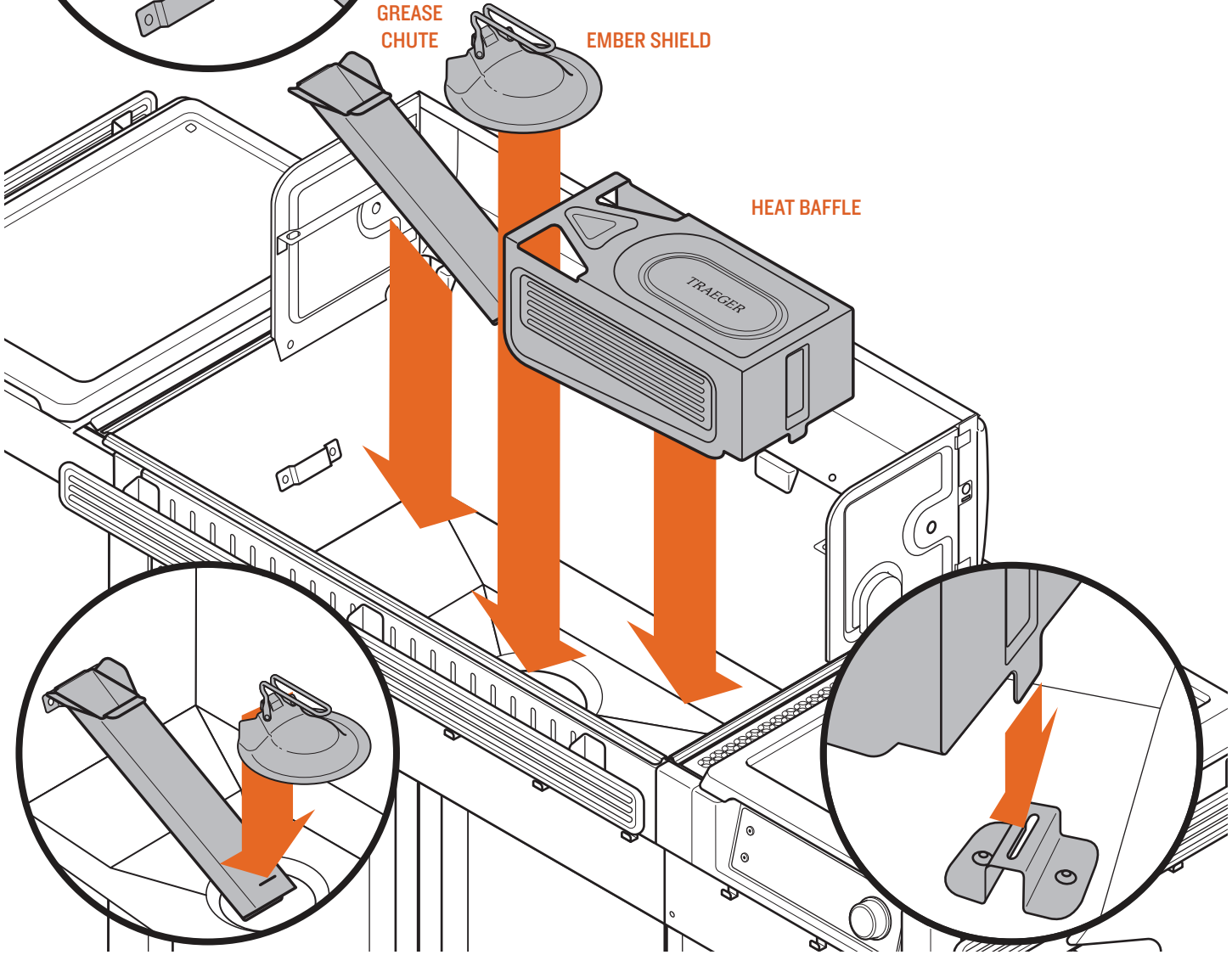


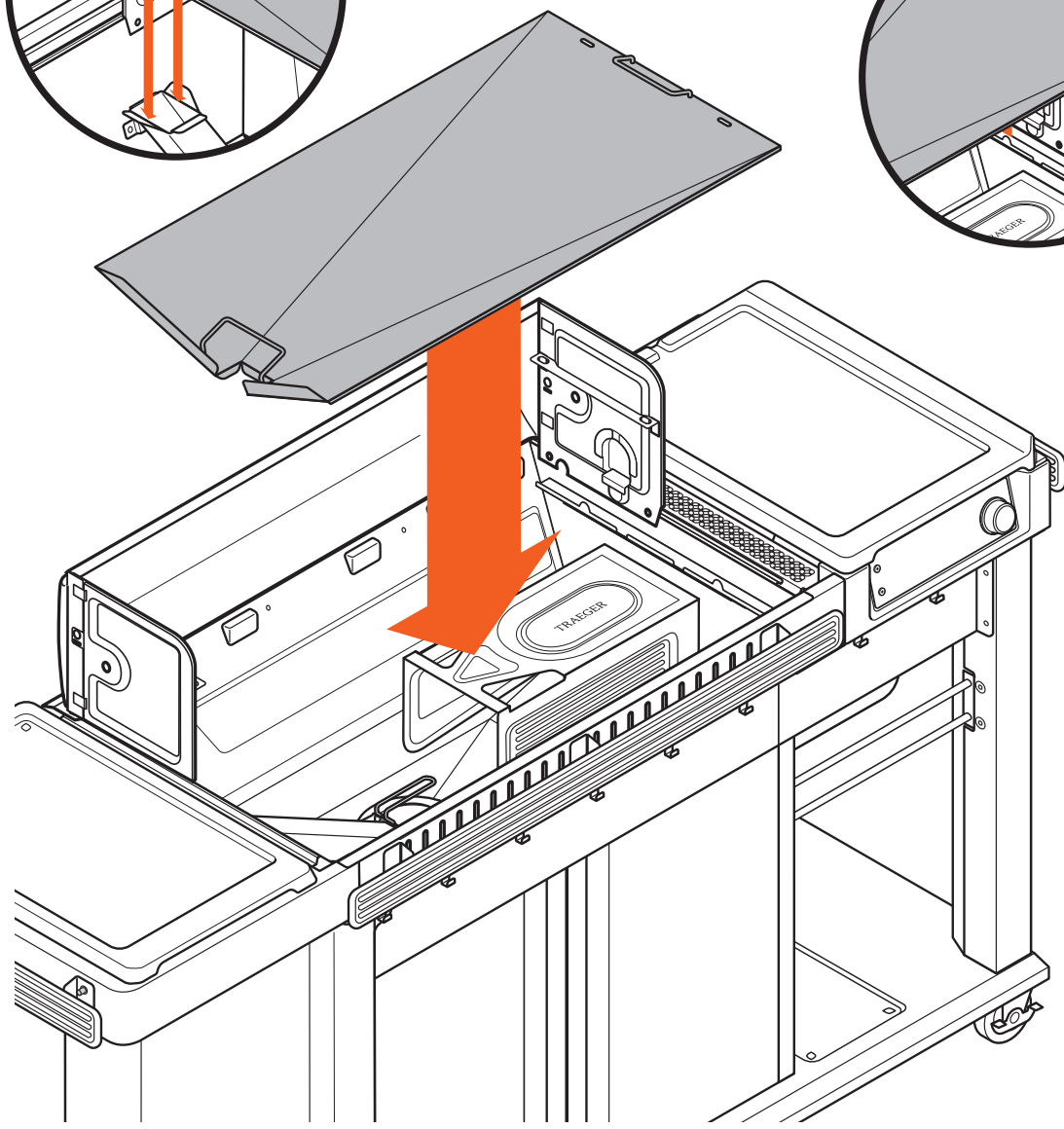
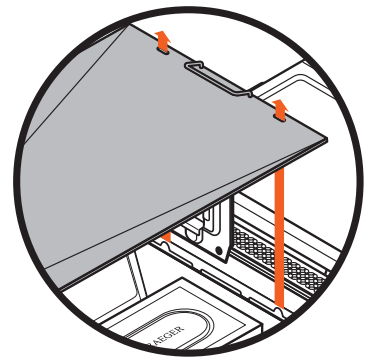
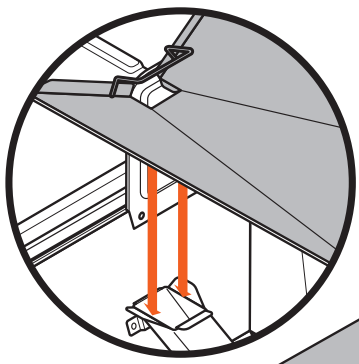
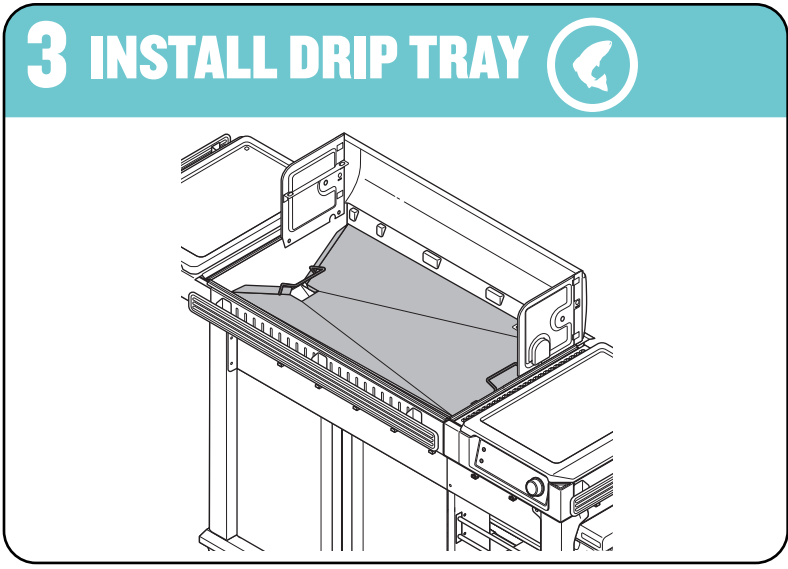
2 INSTALL CHUTE, SHIELD, AND BAFFLE



GREASE CHUTE

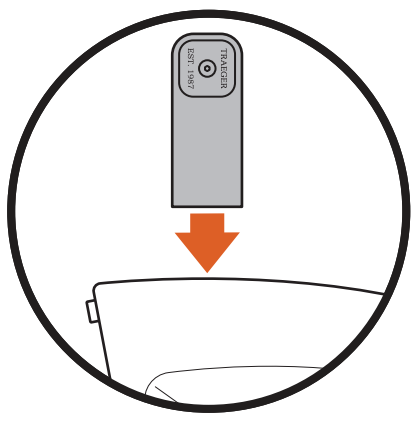
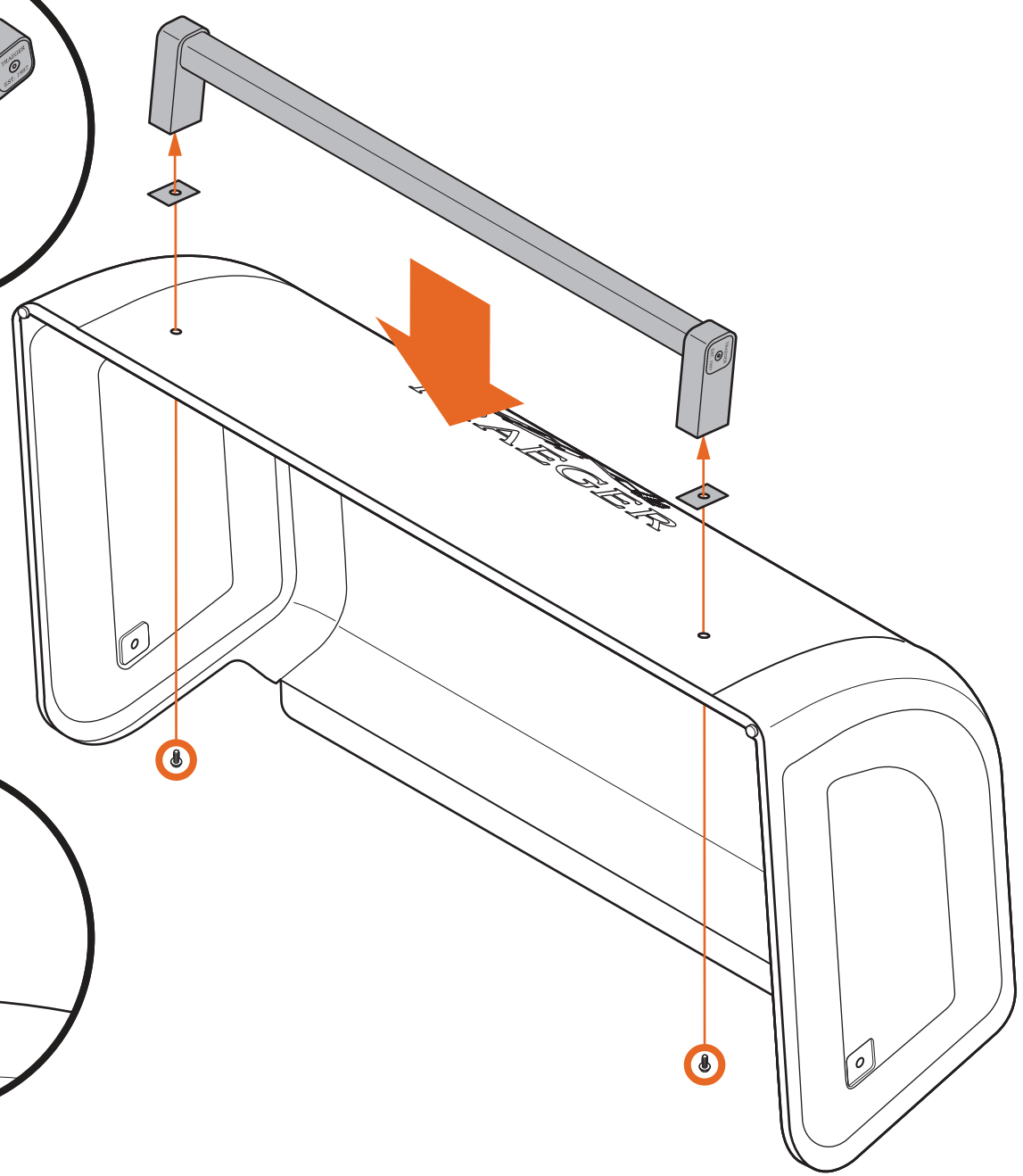
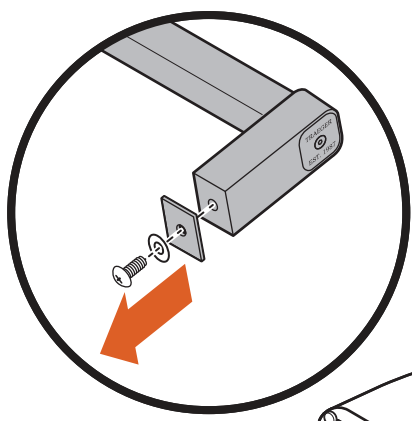
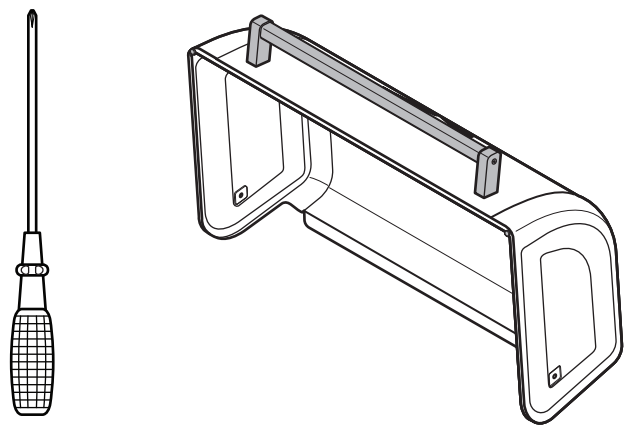
EMBER SHIELD








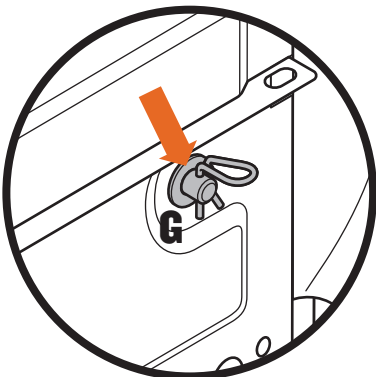
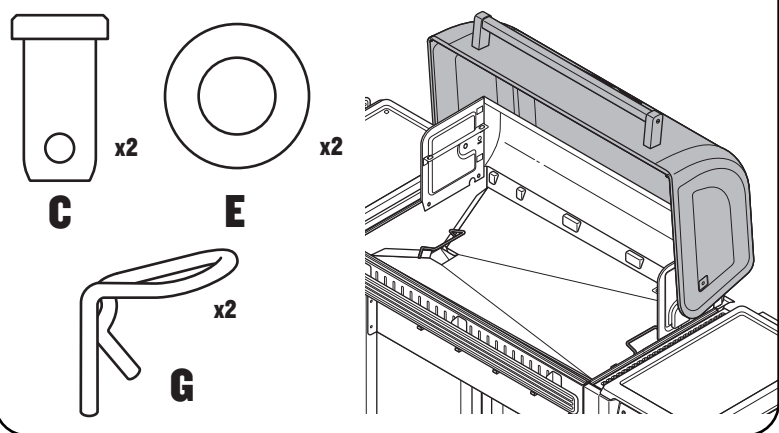

4A ATTACH LID HANDLE



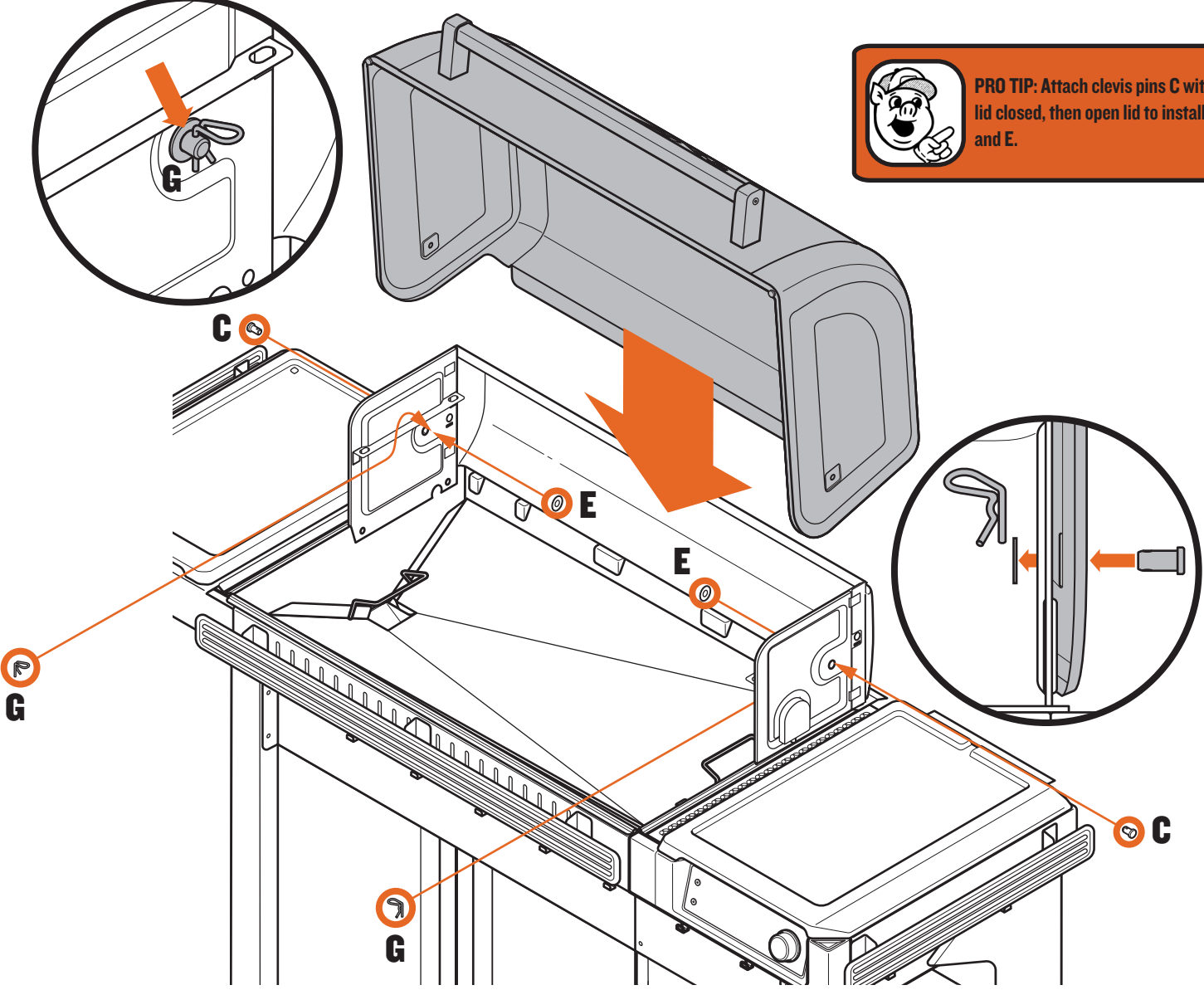



PRO TIP: Use two people to attach the lid.

4B ATTACH LID

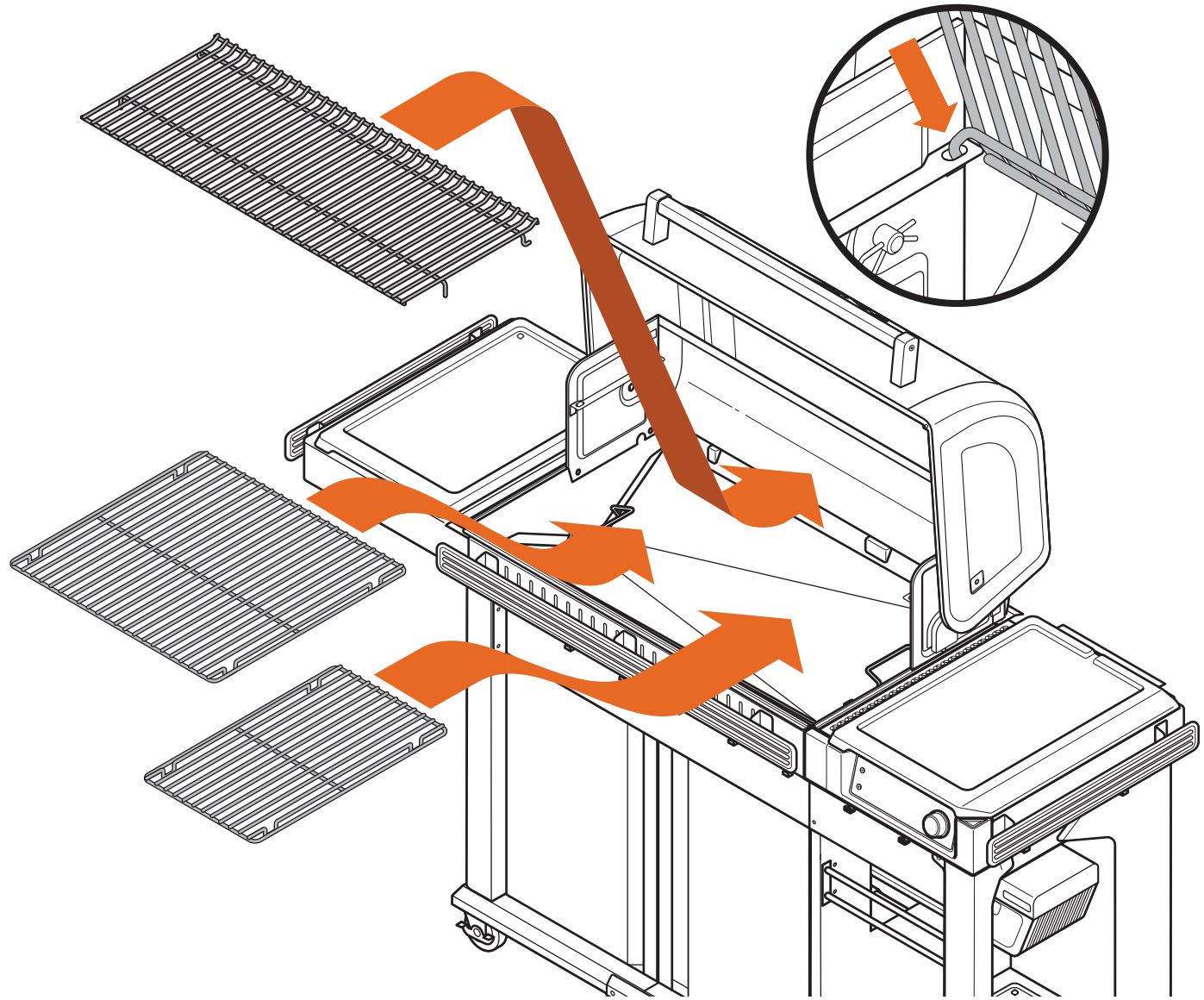
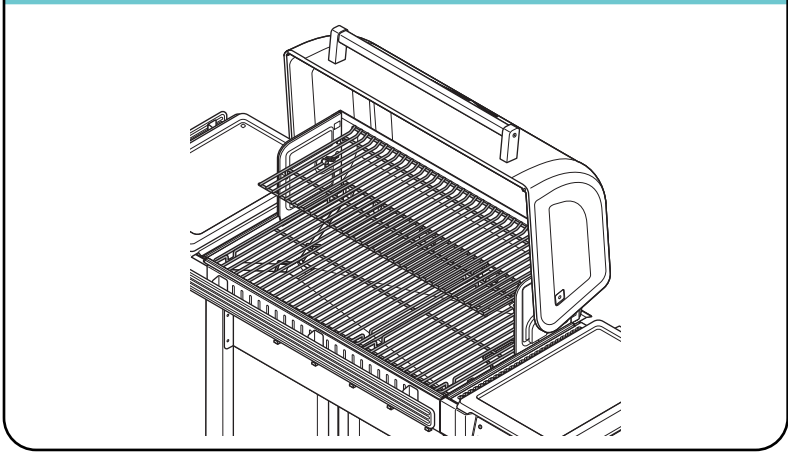



PRO TIP: Attach clevis pins C with lid closed, then open lid to install G and E.



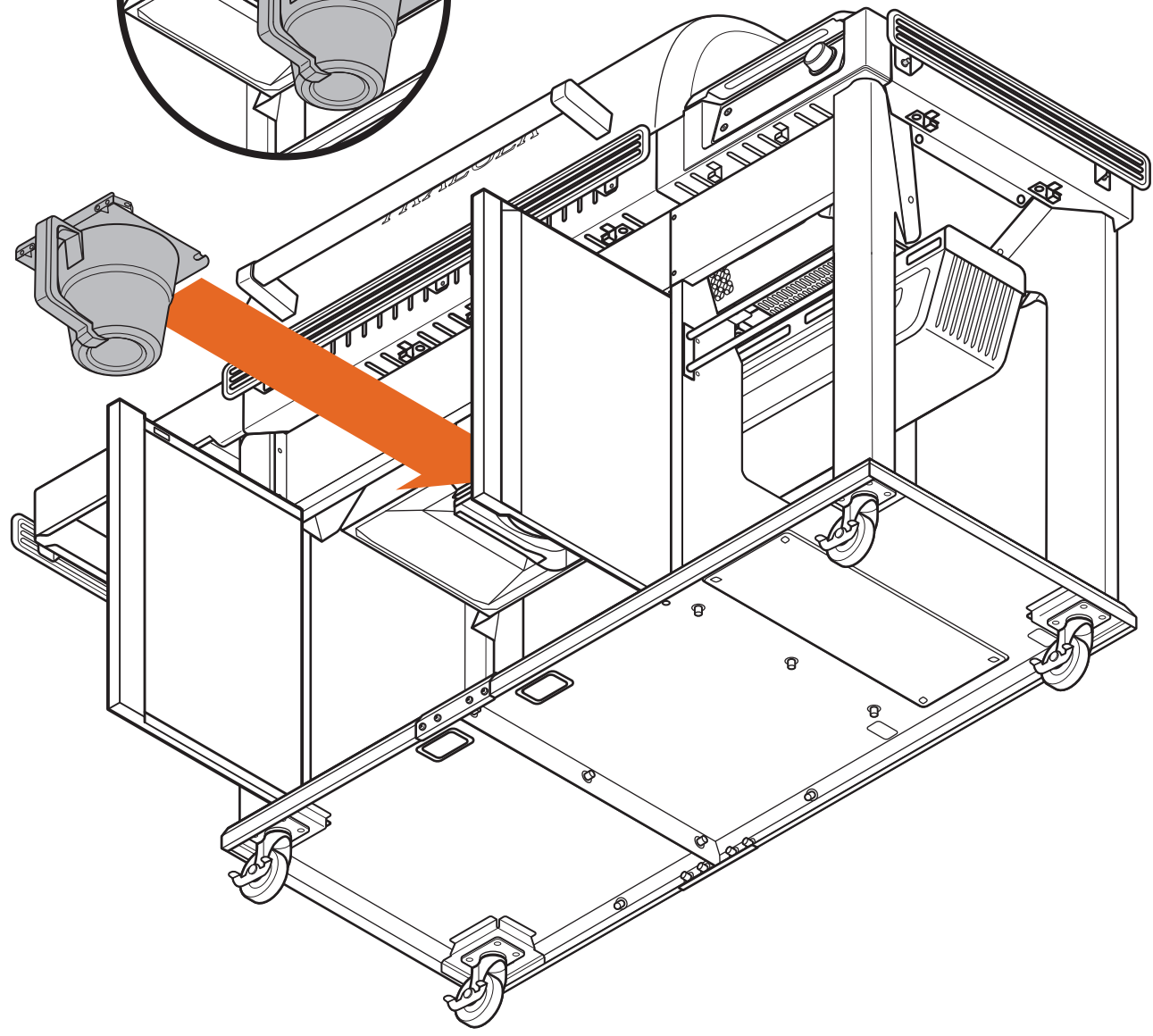
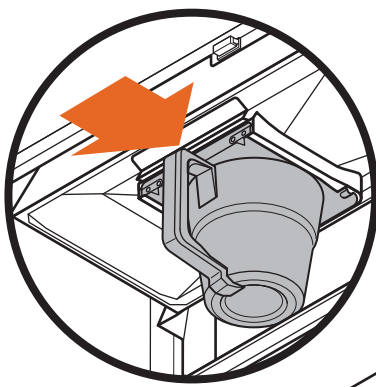
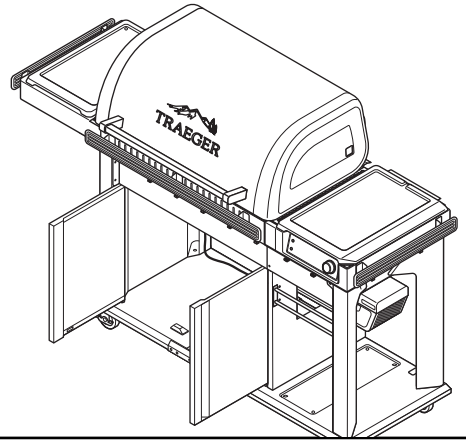


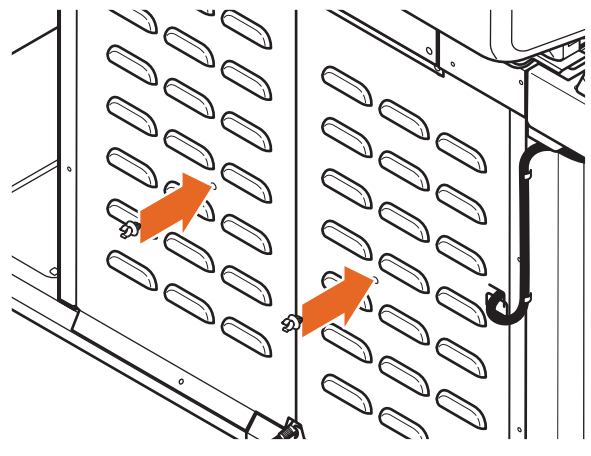
5 INSTALL GRATES



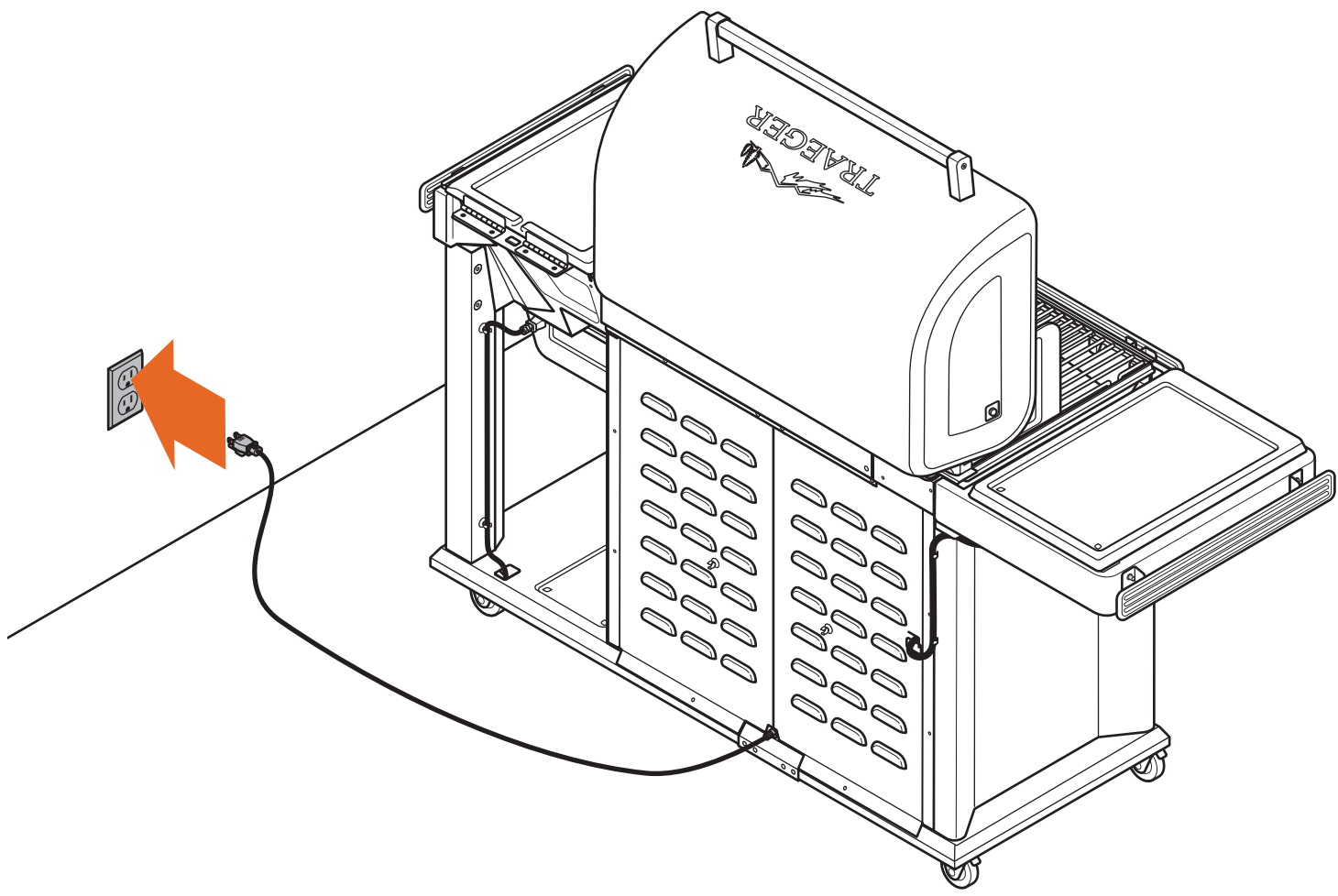
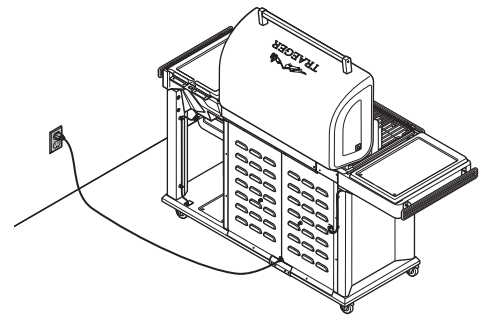
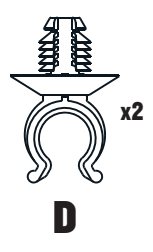


6 INSTALL GREASE + ASH KEG

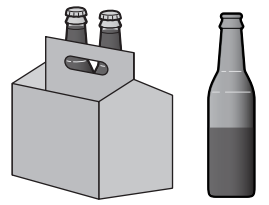




7 PLUG IN POWER CORD



**NICE WORK!
CHAPTER 4 COMPLETE!**



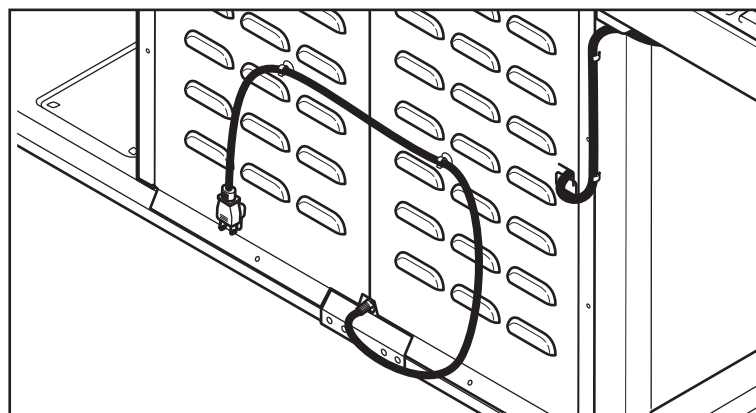
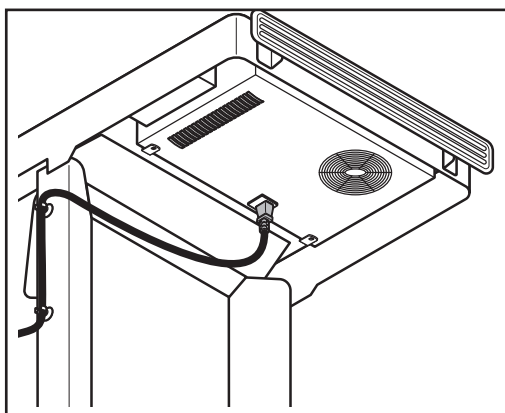
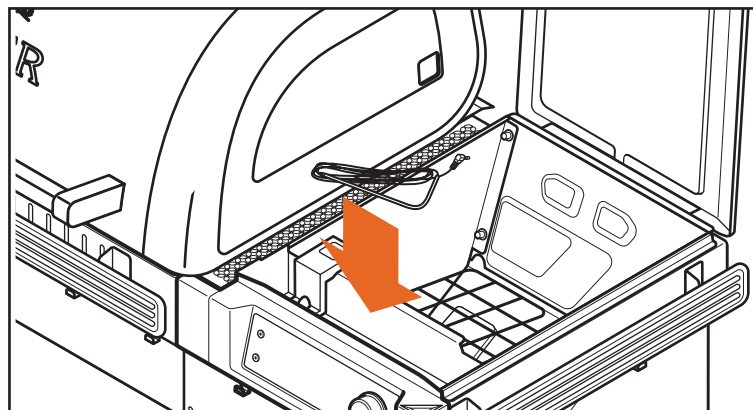
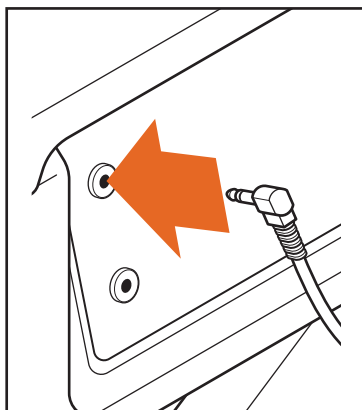
STORING PARTS AND ACCESSORIES



WARNING! DO NOT PUT A GRILL COVER OR ANYTHING FLAMMABLE IN THE STORAGE SPACE AREA UNDER THE GRILL.

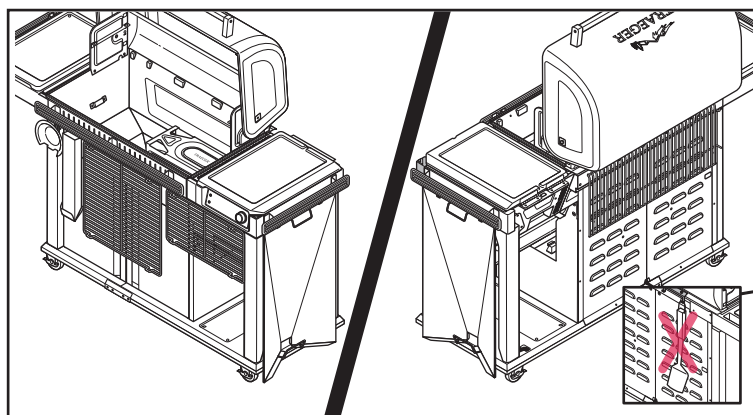
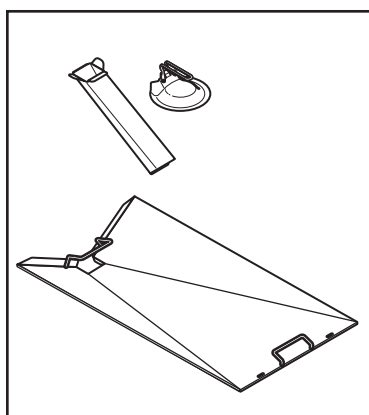
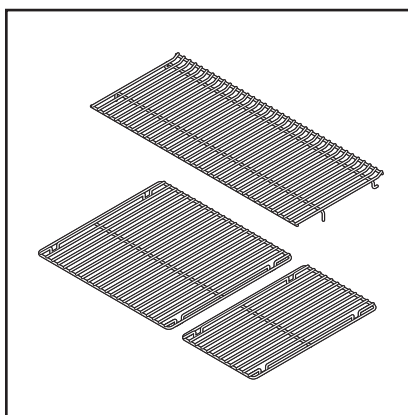
Wired Probe and Power Cord

TO STORE (AFTER EVERY COOK):



Grill Grates, Drip Tray, Grease Chute, and Ember Shield

TO STORE DURING CLEANING:

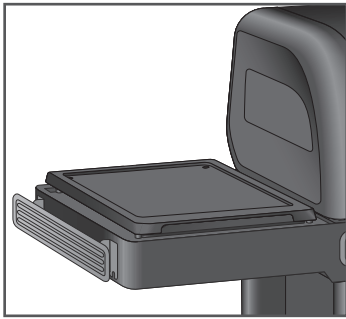


PRO TIP: Do not hang or store cooking utensils on grate hooks. Doing so could damage the utensils.

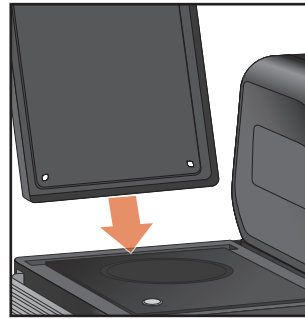


Side Burner Cover

TO STORE WHILE SIDE BURNER IS IN USE:



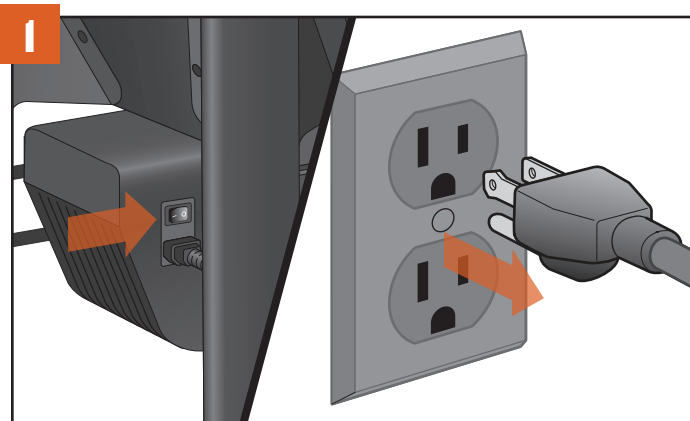

PRO TIP: Place cover on side burner when not in use.




PRO TIP: See the Owner's Manual for more information on side burner use and care.

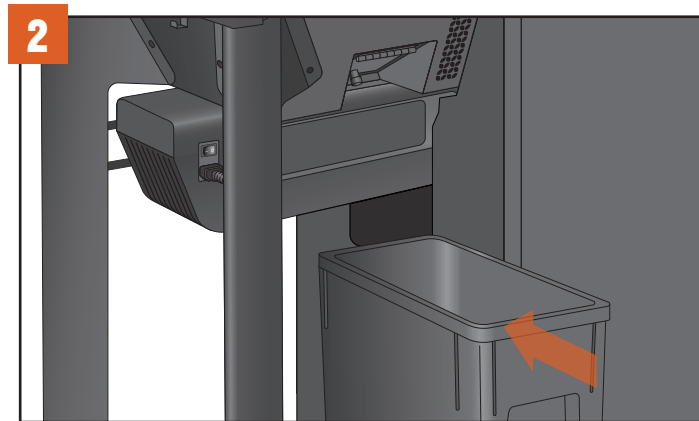
Hopper

If you will not be using your Traeger® Woodridge™ Grill for an extended time, empty the pellets from the hopper.

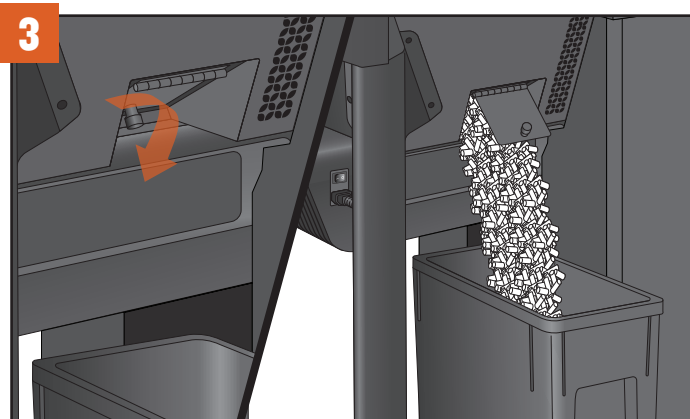


Press the main power switch to OFF (0) and disconnect the power cord. If the grill is still hot, allow it to cool completely.


NOTE: Plug appearance may vary by region.




Before emptying the hopper, make sure that the Traeger® StayDry™ Pellet Bin (sold separately) is placed directly underneath the pellet release door.



Unscrew the knob on the back of the auger box and open the pellet release door. Pellets will empty into the StayDry™ Pellet Bin. Vacuum out any remaining sawdust from the hopper and auger.



WARNING! DO NOT EMPTY OUT THE HOPPER UNTIL GRILL HAS COMPLETELY COOLED AND THE POWER IS OFF; OTHERWISE, PELLETS MAY BE VERY HOT.



WARNING! DO NOT PLACE YOUR HAND IN THE HOPPER PAST THE SAFETY GRATE.

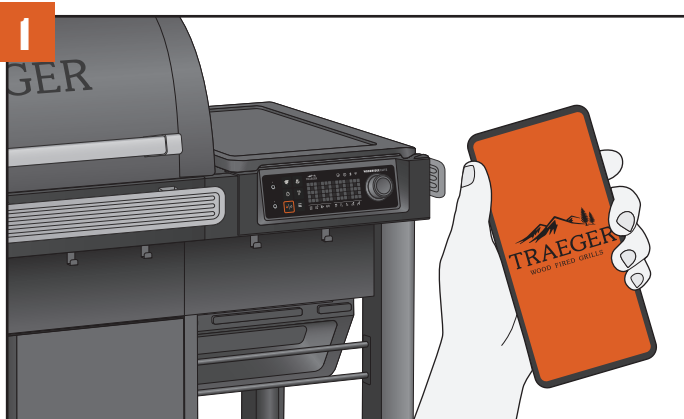
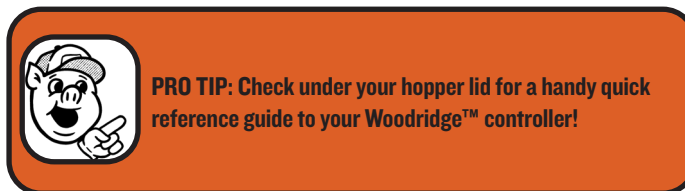
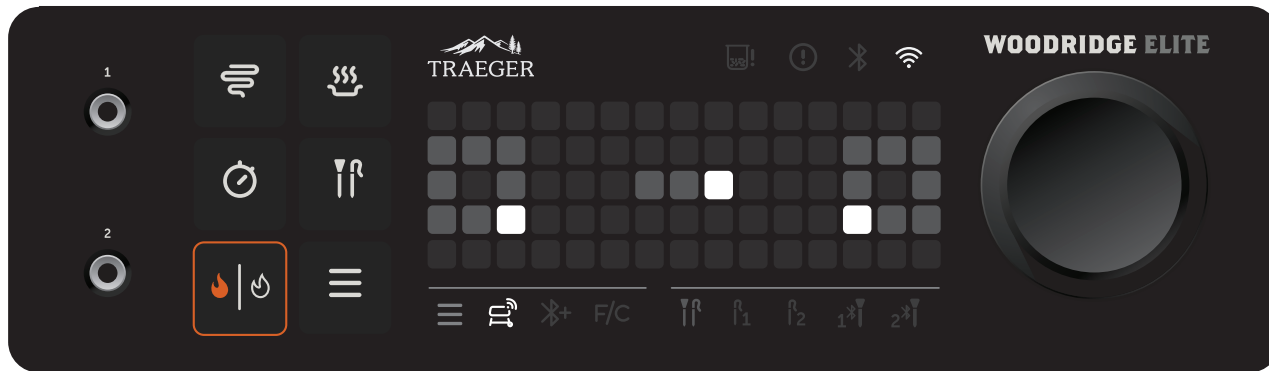


CONNECTING YOUR GRILL

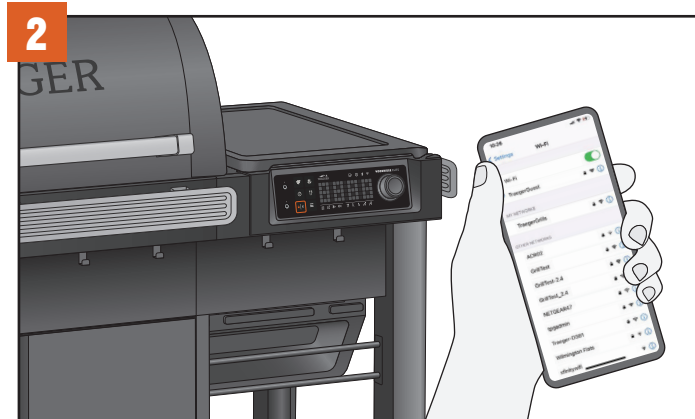
Our dedication to delivering world-class products and experiences means we are constantly working to improve grill performance and features. We highly recommend connecting your Traeger® Woodridge™ Grill to WiFIRE® by following the instructions below. When your grill is connected and on, updates will automatically download, ensuring your grill is always operating at peak performance.

IMPORTANT:

- Make sure your smart device is running on the latest operating system and that Bluetooth® is turned ON.
- If using an Android device, turn on location services.
- To connect your grill to your home Wi-Fi, your grill must be powered on. Make sure the main power switch is pressed to ON and lit up.
- Your home Wi-Fi router signal must be 2.4 GHz (a dual band router should also work). The 2.4 GHz band is currently industry standard for connected appliances. It has better range and penetrates walls/ceilings/obstacles better than 5 GHz, which your grill cannot recognize.



1 Go to the Apple App Store or Android Google Play Store to download the latest version of the Traeger App.



2 Ensure your smart device is connected to the Wi-Fi network to which you want your grill connected. The router signal must be 2.4 GHz, as the grill is not compatible with 5 GHz.

The Bluetooth® word mark and logos are registered trademarks owned by the Bluetooth SIG, Inc. and any use of such marks by Traeger Grills is under license. Other trademarks and trade names are those of their respective owners.



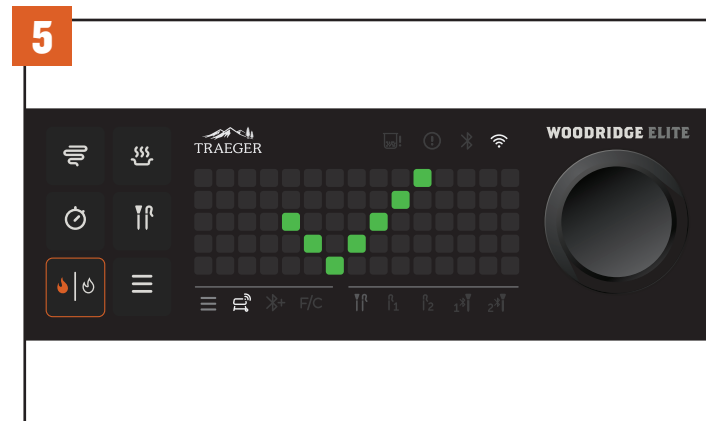
After powering on your grill, tap the menu button. You will see the Wi-Fi grill icon light up in the menu bar below the dot matrix, and an animation of a Wi-Fi signal with a question mark will be displayed. Press the selection dial to select this option and begin the connection process.

NOTE: You can navigate menu options by turning the selection dial after tapping the menu button. As you turn the dial, the menu bar icons below the dot matrix display will light up to indicate your selection.

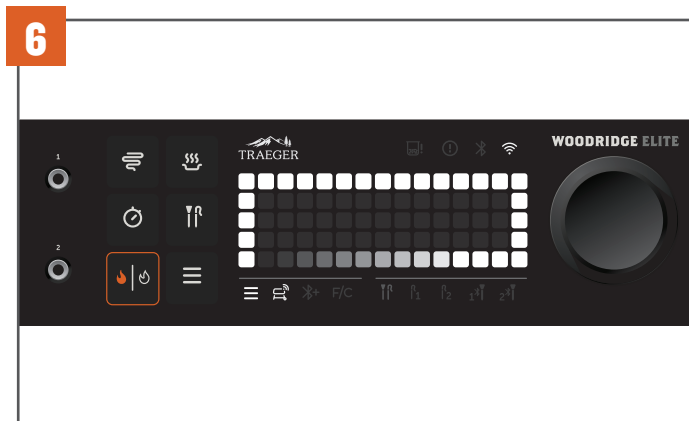


After selecting WiFiRE®, the pairing animation above will display on screen, indicating that your grill is broadcasting its Bluetooth® signal and is ready to pair. Open your smart device to the Traeger App and sign in to your account. On the home screen of the Traeger App, tap the grill icon in the lower center of the screen to start connecting.

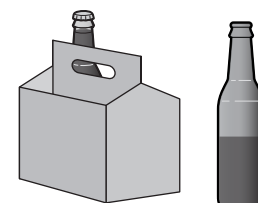
Follow the instructions on the Traeger App to (1) pair your phone to your grill (via temporary Bluetooth® connection), (2) connect your grill to your desired 2.4 GHz home Wi-Fi network, and (3) complete the grill setup process.




A green checkmark will display on your controller to indicate that you have successfully connected to WiFiRE®. The Wi-Fi icon in the top right above the dot matrix display will stay lit up when the grill is connected.




Once connected to WiFiRE®, you might see this animation on your screen. Don't turn off your grill until you see a green checkmark. This means that your grill is downloading and applying an update. Just like your smartphone, these updates keep your grill running smoothly, securely, and at peak performance. Once the update is done, you'll see a green checkmark and the grill will return to the idle mode – let's cook!

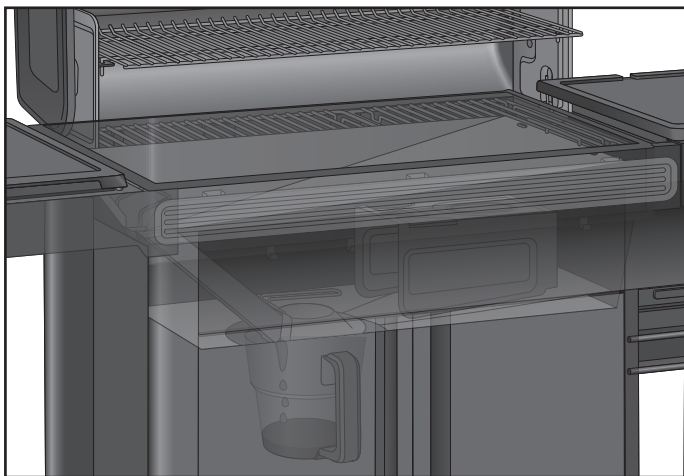


SEASONING YOUR GRILL

 **PRO TIP:** Seasoning must be completed before cooking food on your grill. For more information, scan here to access the Seasoning Guide.

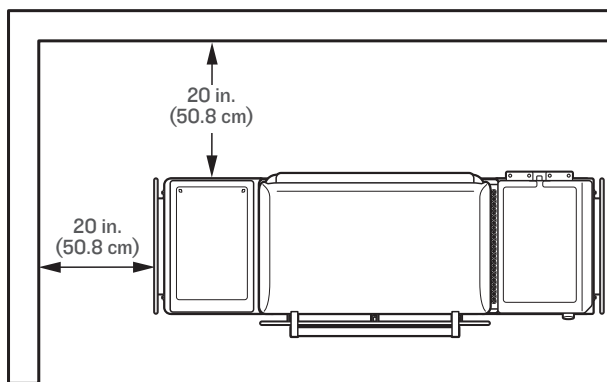


Before you can cook on your grill, the grill must be seasoned. This is a hands-off process in which the empty grill gets heated to a very high temperature. This seasoning cycle ensures the grill is cleaned of any factory residue, primed, and ready for optimal performance.



IMPORTANT:

- Make sure all components are properly installed in the grill and that all packaging/shipping materials are removed prior to seasoning.
- Do not wipe protective grease coating off of components before seasoning. This coating provides a more durable burn-in protective layer.



⚠ WARNING Fire Hazard

- When operating your Traeger® Grill, maintain a **MINIMUM** distance of 20 inches (50.8 cm) from the grill to any nearby combustibles, including wooden railings, home siding, window frames, furniture, trees, trash receptacles, etc.

⚠ DANGER Carbon Monoxide Hazard

Burning wood pellets produces carbon monoxide which may lead to illness, serious injury, and/or death. Follow these guidelines to prevent this colorless, odorless gas from poisoning you, your family, your pets, or others:

- Only use your Traeger® Grill outside in a well-ventilated area. This grill is intended for **OUTDOOR USE ONLY**.
- **Never** use your Traeger® Grill in any enclosed area or any area without adequate ventilation.
- Know the symptoms of carbon monoxide poisoning: headache, dizziness, weakness, nausea, vomiting, sleepiness, and confusion. Carbon monoxide reduces the blood's ability to carry oxygen. Low blood oxygen levels can result in loss of consciousness and death.
- See a doctor if you or others develop cold- or flu-like symptoms while cooking or in the vicinity of this appliance. Carbon monoxide poisoning, which can easily be mistaken for a cold or flu, is often detected too late.
- Alcohol consumption and drug use increase the effects of carbon monoxide poisoning.
- Carbon monoxide is especially toxic to mother and child during pregnancy, infants, the elderly, smokers, and people with blood or circulatory system problems, such as anemia or heart disease.

⚠ WARNING Fire Hazard

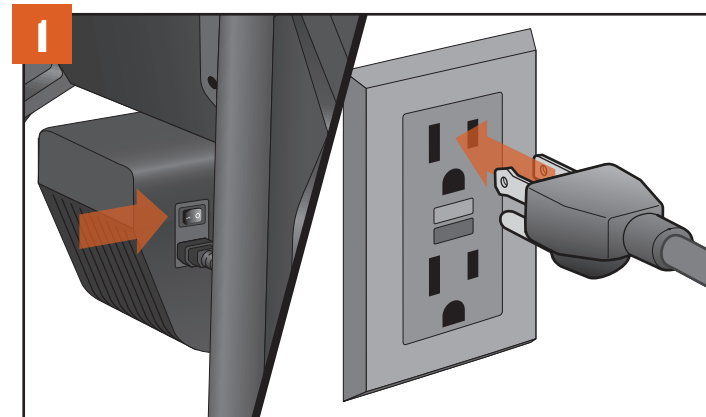
- **Never** use gasoline, lantern fuel, kerosene, lighter fluid, or other flammable materials to start or “freshen up” a fire.
- **Never** use or store flammable liquids or other combustibles materials near the grill.

⚠ WARNING Burn Hazard

Ashes should always be completely cool before handling. Ashes should be placed in a metal container with a tight-fitting lid. The closed container of ashes should be placed on a noncombustible floor or on the ground, well away from all combustible materials, pending final disposal. Ashes should be retained in the closed container until they are disposed.

⚠ WARNING Do Not Use Fuel Pellets

Never use heating fuel pellets in the grill because they may contain hazardous contaminants and additives and may damage the grill.



With the main power switch set to OFF (0), connect the power cord to your grill. Then plug the power cord into a properly grounded/earthed electrical outlet protected by a Ground Fault Circuit Interrupter (GFCI).

NOTE: Plug appearance may vary by region.



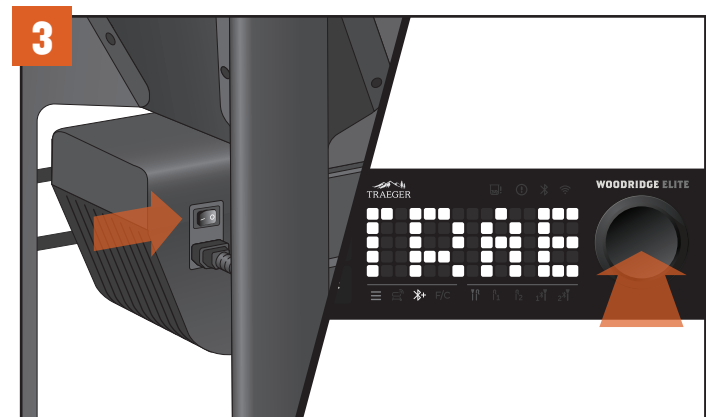
WARNING! ELECTRICAL SHOCK HAZARD
HAZARDOUS VOLTAGE IS PRESENT, WHICH CAN SHOCK, BURN, OR CAUSE DEATH.

- GROUND FAULT CIRCUIT INTERRUPTER (GFCI) PROTECTION MUST BE PROVIDED ON THE CIRCUIT(S) OR OUTLET(S) TO BE USED FOR THE OPERATION OF THIS TRAEGER® GRILL.



To add pellets, open the hopper lid and inspect for any foreign objects in the auger. Fill the hopper with pellets at least to the safety grate and close the lid.

USE ONLY TRAEGER HARDWOOD PELLETS. This product is developed and tuned using only Traeger pellets. Traeger pellets are crafted to meet strict quality and performance standards. Using pellets not manufactured by Traeger may result in inconsistent performance, poor flavor, and temperature inconsistency.



Press the main power switch, located on the back of the auger box, to ON (I). Press the selection dial to wake up the controller. "TRAEGER" will scroll across the screen, indicating the grill is on.



Turn the selection dial to set the grill's temperature to 350°F, then press the dial. Press the ignite/shutdown button.

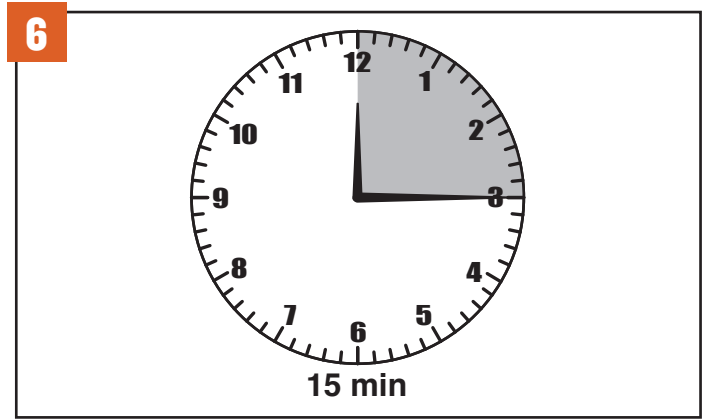


PRO TIP: This seasoning process is important to ensure proper grill performance. Make sure that all internal components have been properly installed prior to this seasoning cycle and that there is no food on the grill grates during this cycle.

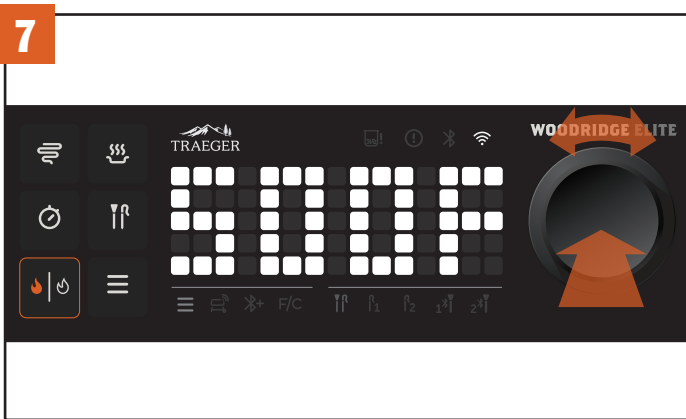
SEASONING YOUR GRILL (CONT.)



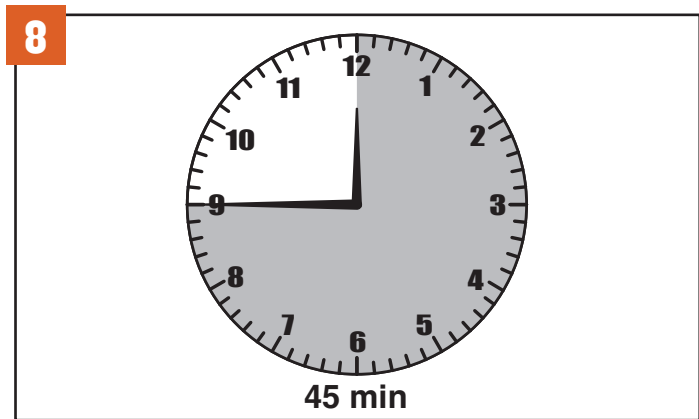
The grill temperature will display as it increases to the set temperature.



Once the grill has reached 350°F, let it run for 15 minutes. While the grill is seasoning, you may see dark or excessive smoke and ash; this is normal and will be less on future startups.

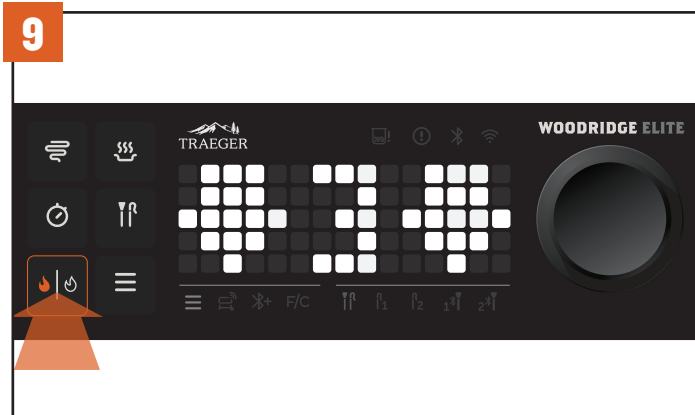


After 15 minutes at 350°F, increase the temperature to 500°F.



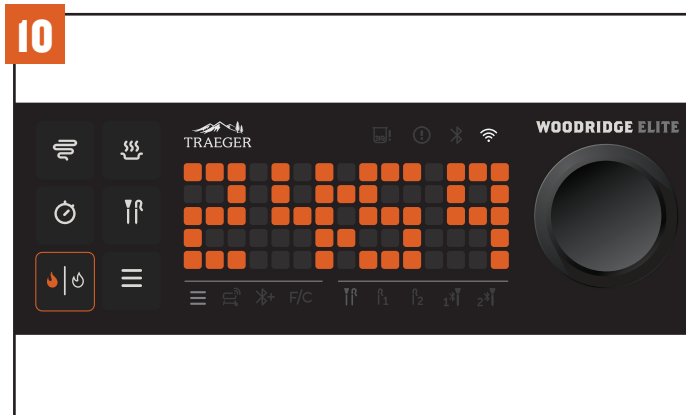
Once the grill has reached 500°F, let it run for another 45 minutes to ensure seasoning is completed properly.

NOTE: Getting to first-time seasoning temperature may take up to an hour.

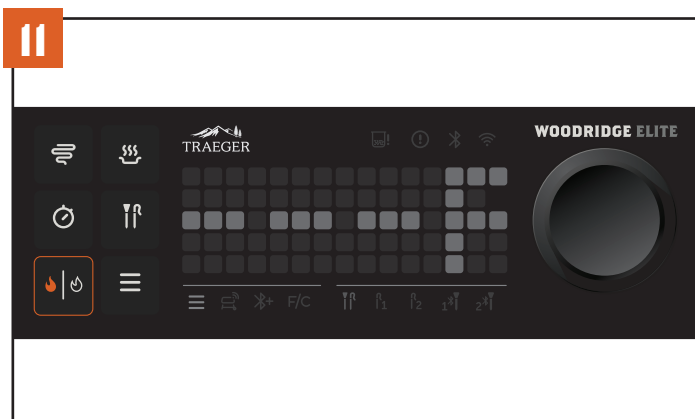


After 45 minutes at 500°F, shut down the grill and let the shutdown cycle complete. To shut down your grill, press and hold the ignite/shutdown button or the selection dial for three seconds until the display shows the shutdown animation.

NOTE: Always initiate a shutdown cycle after each and every cook.



A countdown timer begins while the grill is shutting down. You will hear the fan continue to run.



Once this countdown is complete, the shutdown cycle is complete.

NOTE: It is normal to observe ash on the drip tray and/or grill grates after seasoning. Simply wipe away ash on grill grates prior to your first cook.

