



PRO

— 575/780 —

ASSEMBLY GUIDE



Please read this entire manual before installation and use of this pellet fuel-burning appliance. Failure to follow these instructions could result in property damage, bodily injury, or even death. Contact your local building or fire officials about restrictions and installation inspection requirements in your area.

A MAJOR CAUSE OF FIRES IS FAILURE TO MAINTAIN REQUIRED CLEARANCES (AIR SPACES) BETWEEN COMBUSTIBLE MATERIALS. IT IS OF UTMOST IMPORTANCE THAT THIS PRODUCT BE INSTALLED ONLY IN ACCORDANCE WITH THESE INSTRUCTIONS. SAVE THESE INSTRUCTIONS.

WARNING!

MANY PARTS OF THE GRILL WILL BECOME VERY HOT DURING OPERATION. CARE MUST BE TAKEN TO AVOID BURNS, BOTH DURING OPERATION AND AFTERWARDS, WHILE THE GRILL IS STILL HOT.

Never leave the grill unattended when young children are present.

Never move the grill when it is operating.

Let the grill cool completely before moving or attempting to transport.

© 2023 Traeger Pellet Grills LLC. All Rights Reserved.

Patent: www.traeger.com/patents

TFB78GZE/GLE/GZEC/GLEC

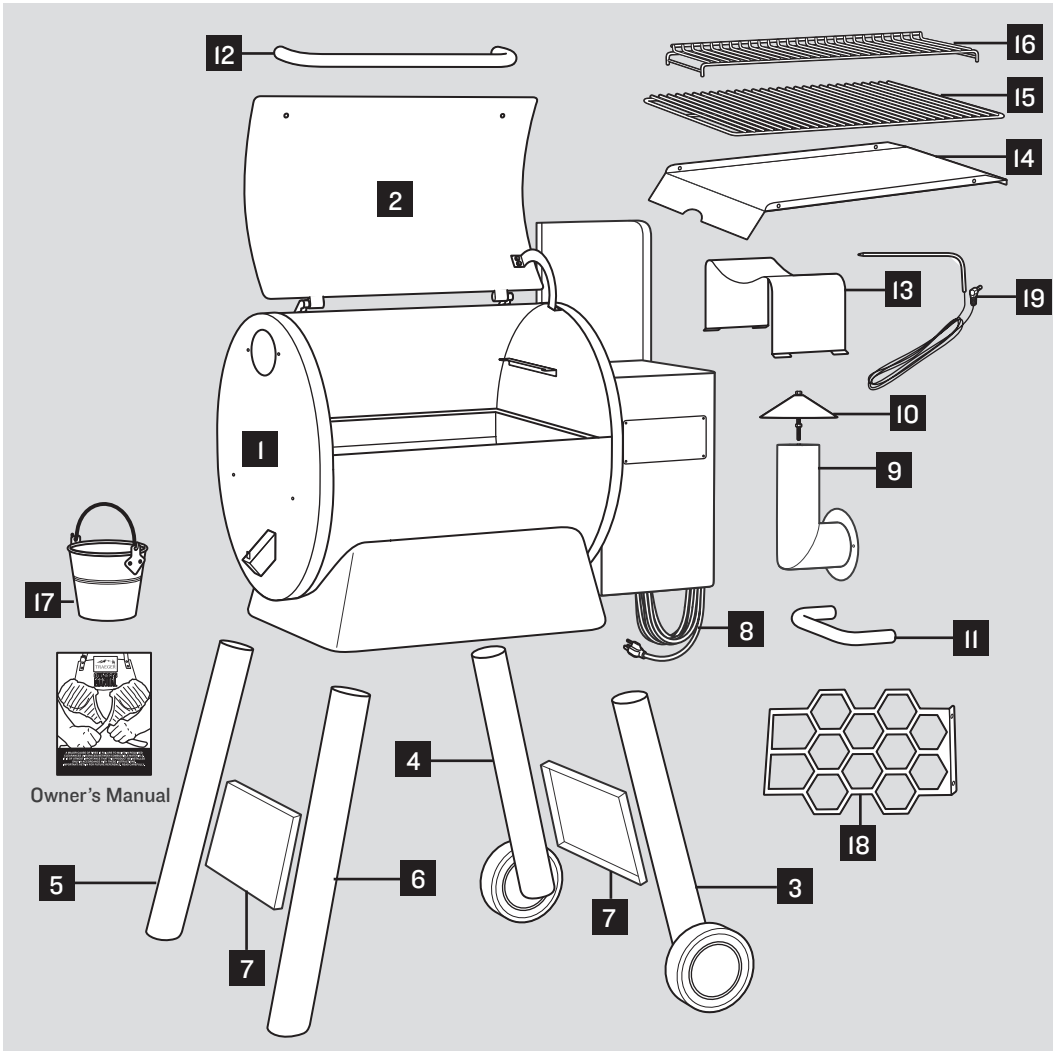
TFB57GZE/GLE/GZEC/GLEC

DOC433 REV A

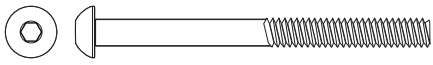



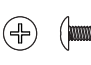
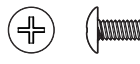

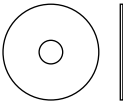
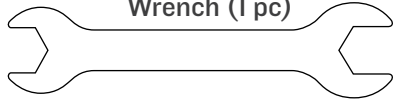
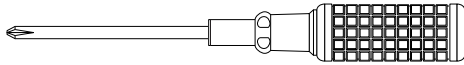
TRAEGER PELLET GRILLS LLC
533 South 400 West
Salt Lake City, UT 84101

TRAEGER.COM

PARTS LIST



BLISTER PACK PARTS NEEDED

- A** Bolts: 5/16"-18 button head (8 pcs) 
 - B** Washers: 5/16" (16 pcs) 
 - C** Spring Washers: 5/16" (8 pcs) 
 - D** Hex Nuts: 5/16"-18 (8 pcs) 
 - E** Bolts: 1/4"-20x0.6 (12 pcs) 
 - F** Bolts: 1/4"-20x0.5 (2 pcs) 
 - G** Washers: 1/4"-20 (6 pcs) 
 - H** Insulation Washers (4 pcs) 
- Wrench (1 pc) 
- Screwdriver (1 pc) 


WARNING!

- When operating this grill under overhead combustibles, a **MINIMUM** of 40 inches (102 cm) is required.
- When operating this grill, maintain a **MINIMUM** distance of 18 inches (45.7 cm) from the grill to combustibles.

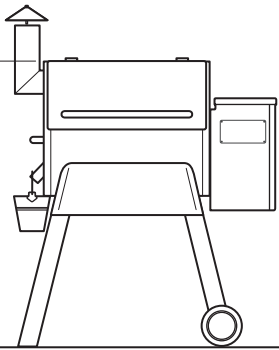
IMPORTANT!

- The grill is very heavy. Always lift the grill with TWO people.

Hex Key (1 pc) 

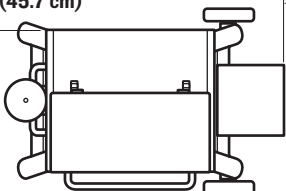
Optional Equipment: 6-Pack 

40.00"
(102 cm)



18.00"
(45.7 cm)

18.00"
(45.7 cm)



GRAB THE 6-PACK, GET THE TOOLS, CUE THE RADIO
IT'S ALMOST TRAEGER'ING TIME



UNLOCK THE FULL POWER OF YOUR GRILL WITH THE TRAEGER APP

ASSEMBLY INSTRUCTIONS, INITIAL FIRING TIPS, FAQs, PLUS USE AND CARE INFORMATION ARE ALL AVAILABLE THROUGH THE APP.

DOWNLOAD THE TRAEGER APP OR GO TO WWW.TRAEGER.COM/APP TO LEARN MORE

READ ALL INSTRUCTIONS BEFORE INSTALLING AND USING THE GRILL

Traeger'ing is more fun with friends! (No, really, you will need two people to lift the grill.)

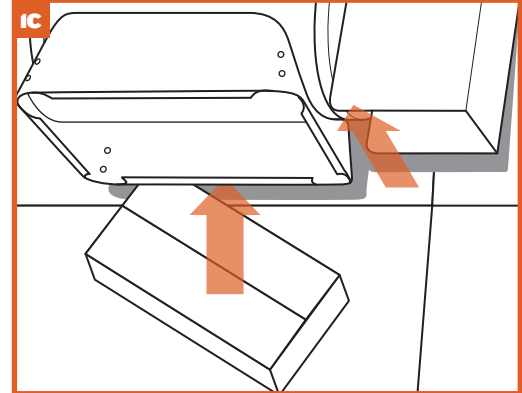
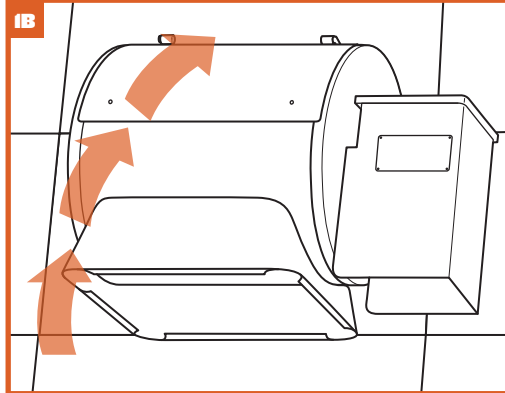
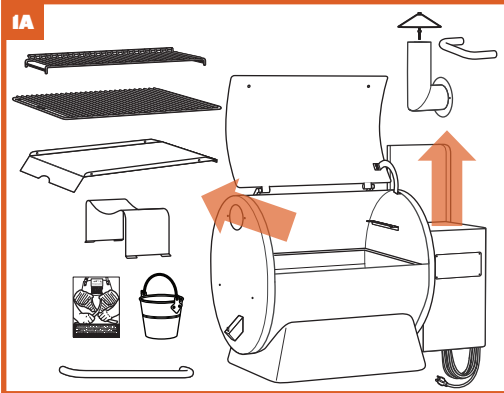
1 REMOVE GRILL PARTS AND PACKAGING

NOTE: You should assemble grill on a clean, flat surface, as you will need to lay it on its back at times during assembly.



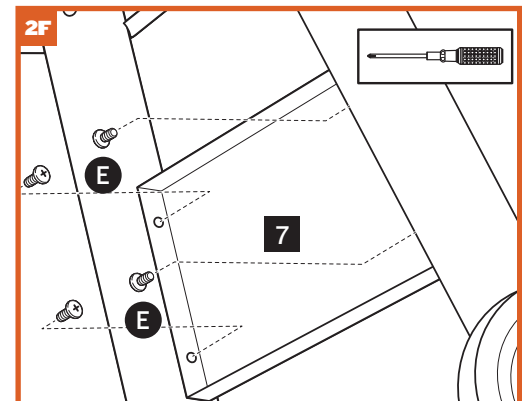
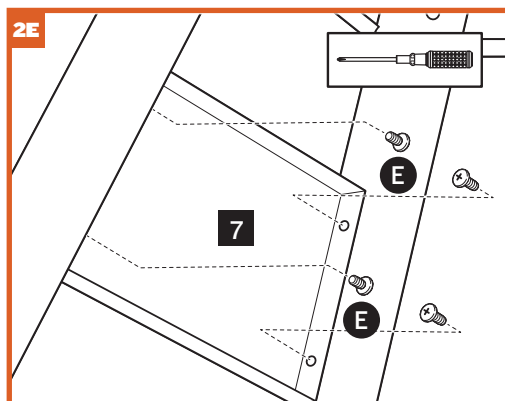
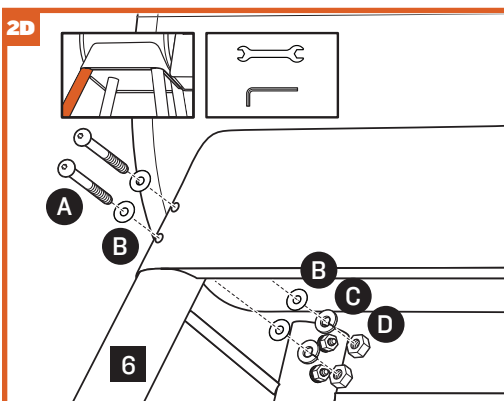
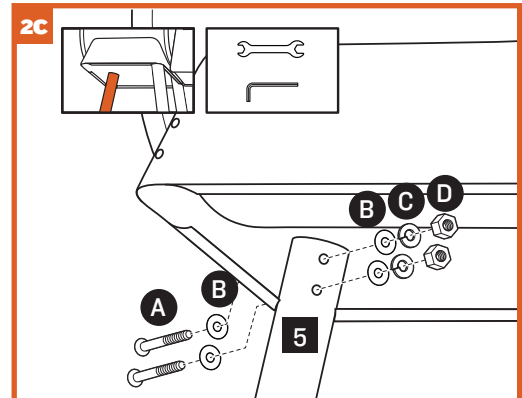
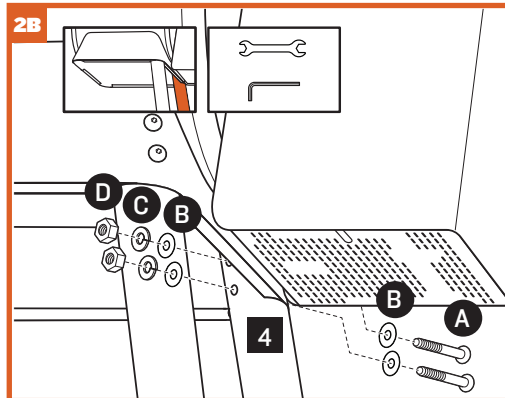
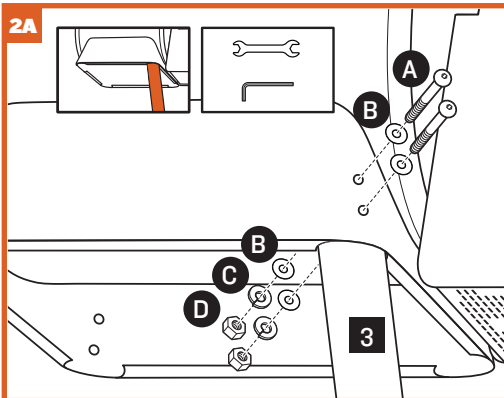
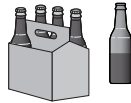
THIS WILL REQUIRE TWO PEOPLE.

NOTE: We recommend you use the packing to prop up the grill to make attaching the legs easier.

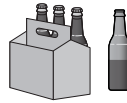


2 INSTALL LEGS AND BRACES

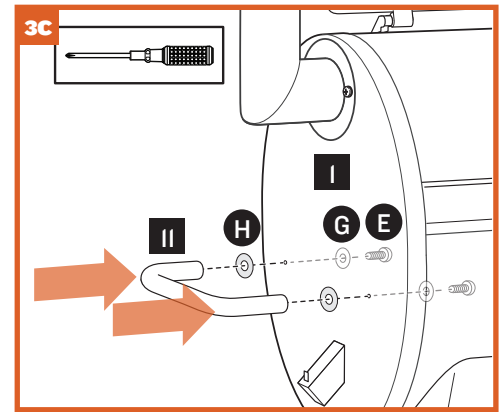
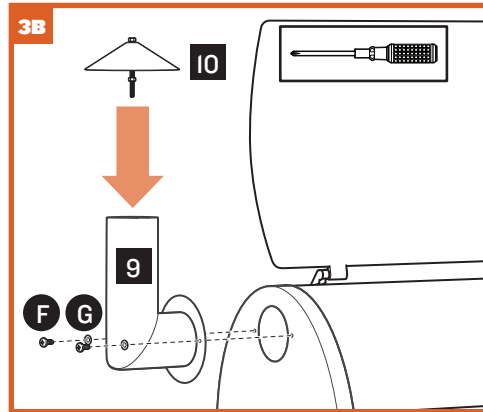
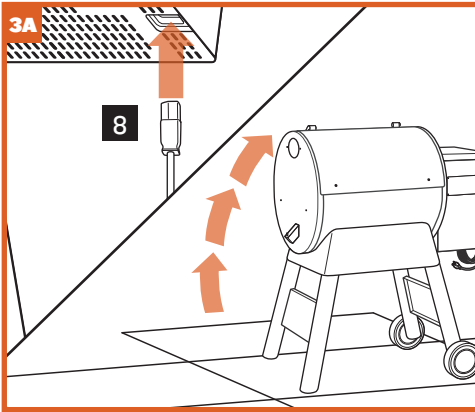
GRILL IS HEAVY. USE TWO PEOPLE TO LIFT.



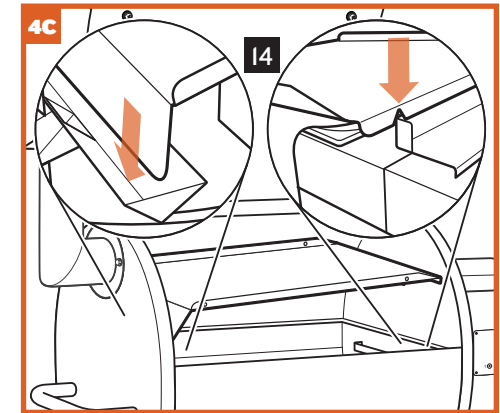
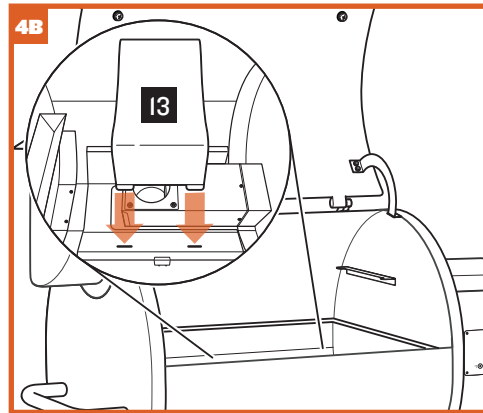
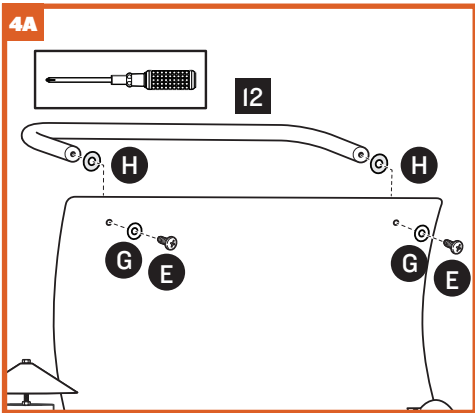
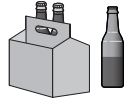
3 ATTACH POWER CORD, CHIMNEY PIPE/CHIMNEY CAP ASSEMBLY, AND SIDE LIFT HANDLE



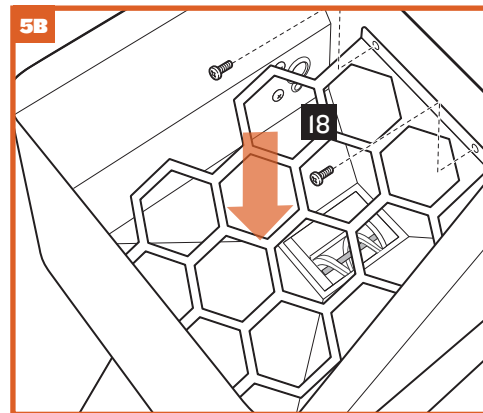
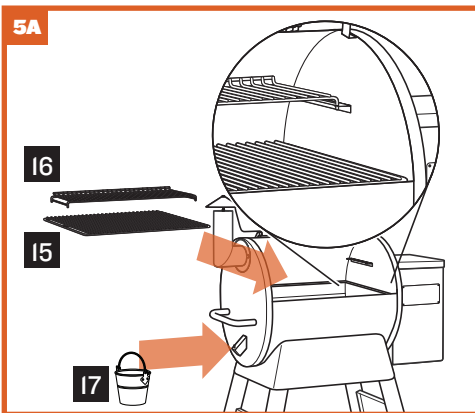
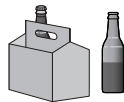
THIS WILL REQUIRE TWO PEOPLE.



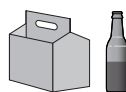
4 ATTACH HANDLE AND PLACE HEAT Baffle AND DRIP TRAY



5 PLACE GRILL GRATES, GREASE BUCKET, AND HOPPER SAFETY GRATE



6 YOU ARE READY TO SEASON YOUR GRILL AND GET TRAEGER'ING!



Refer to your Owner's Manual for operating instructions.