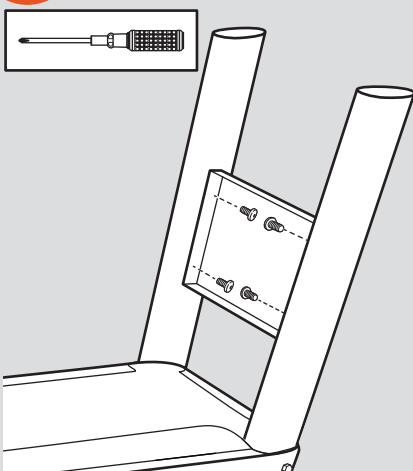
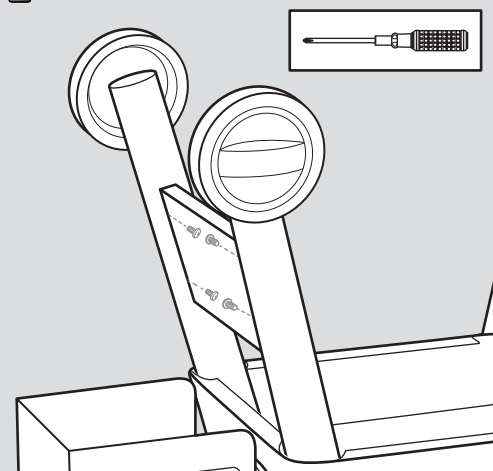


### 3 INSTALL LEG BRACES

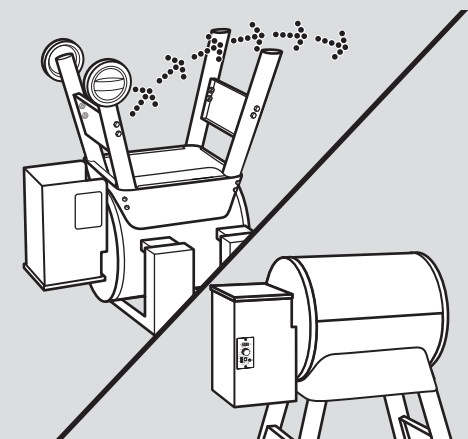


In this step: 7 + E x 4

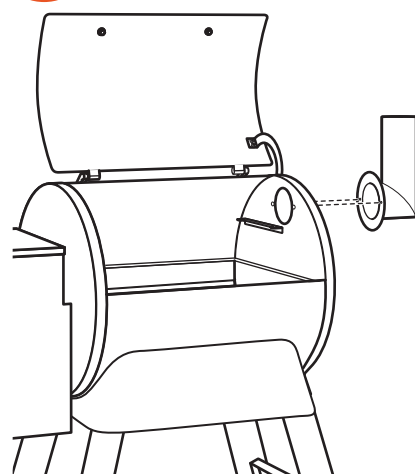
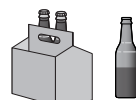


In this step: 7 + E x 4

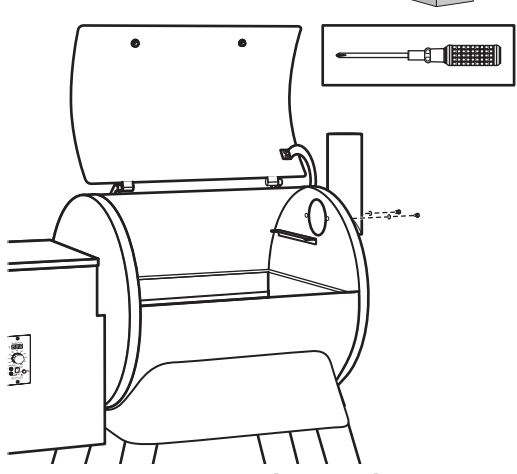
This will require TWO people.



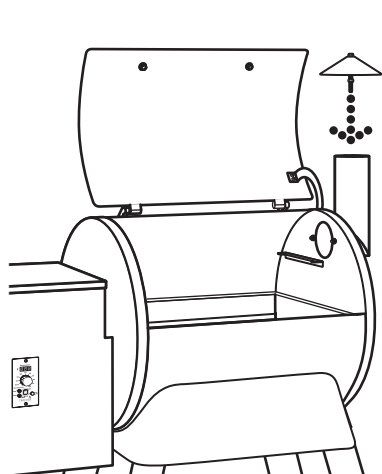
### 4 ATTACH CHIMNEY PIPE AND CHIMNEY CAP ASSEMBLY



In this step: 8

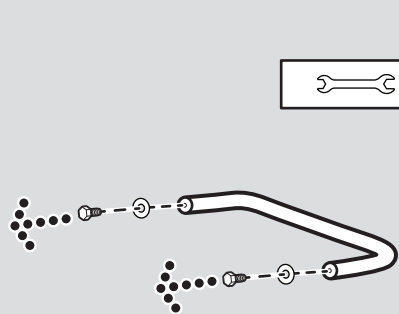
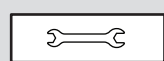
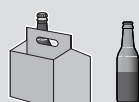


In this step: F x 2 G x 2

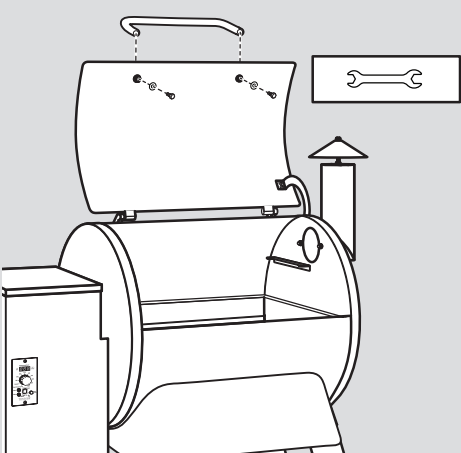


In this step: 9

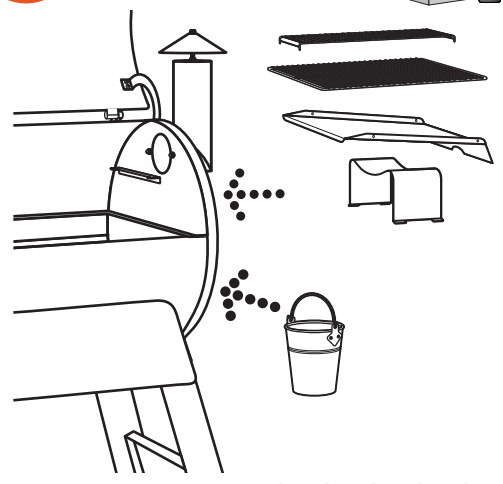
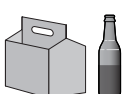
### 5 ATTACH HANDLE



In this step: 10



### 6 PLACE INTERIOR PARTS AND BUCKET



In this step: 11 12 13 14 15



Wood Fired Grills – Pro AC

# ASSEMBLY GUIDE

**IMPORTANT, RETAIN FOR FUTURE REFERENCE: READ CAREFULLY**

Please read this entire manual before installation and use of this pellet fuel-burning appliance. Failure to follow these instructions could result in property damage, bodily injury, or even death. Contact your local building or fire officials about restrictions and installation inspection requirements in your area.

**A MAJOR CAUSE OF FIRES IS FAILURE TO MAINTAIN REQUIRED CLEARANCES (AIR SPACES) TO COMBUSTIBLE MATERIALS. IT IS OF UTMOST IMPORTANCE THAT THIS PRODUCT BE INSTALLED ONLY IN ACCORDANCE WITH THESE INSTRUCTIONS.**

#### WARNING!

Many parts of the grill will become very hot during operation. Care must be taken to avoid burns, both during operation and afterwards, while the grill is still hot.

- Never leave the grill unattended when young children are present.
- Never move the grill when it is operating.
- Let the grill cool thoroughly before moving or attempting to transport.
- **Grill is very heavy. Always lift grill with TWO people.**

For English-only assistance with assembly, installation, parts, and customer service, contact **Traeger's VIP-365 Customer Service.**

Phone: 1-800-TRAEGER

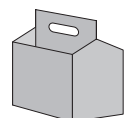
Website: [www.traeger.com/support](http://www.traeger.com/support)

Mail: Traeger Pellet Grills LLC

533 South 400 West

Salt Lake City, UT 84101

[traeger.com](http://traeger.com)



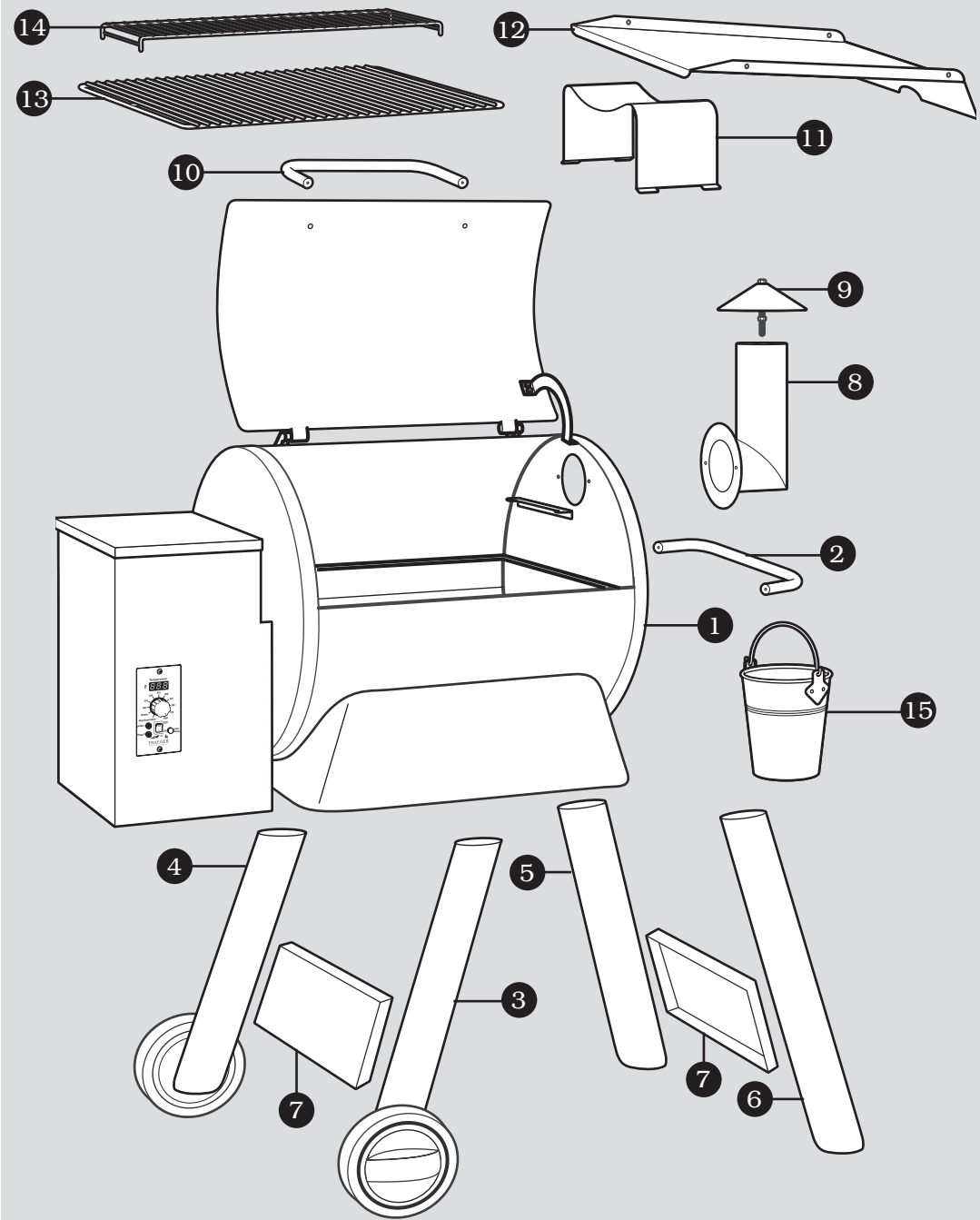
**You are ready to season your grill and get Traeger'ing!**  
Refer to your Owner's Manual for operation instructions.

TFB88P/Q  
TFB57P/Q

© 2023 Traeger Pellet Grills LLC. All Rights Reserved.

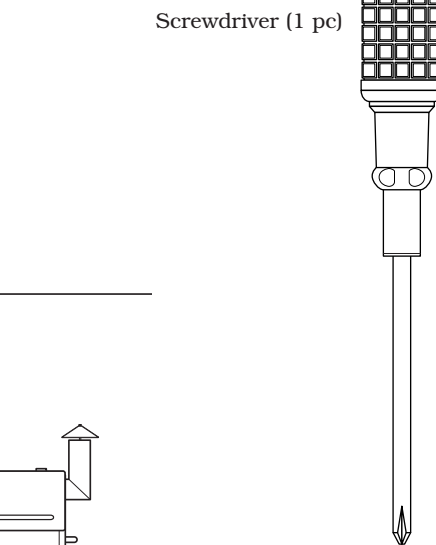
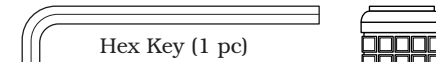
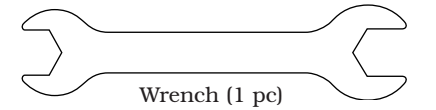
Patent: [www.traeger.com/patents](http://www.traeger.com/patents)

**PARTS LIST**



**BLISTERPACK PARTS NEEDED**

- A** Bolt: 5/16"-18 socket head (8 pcs)
- B** Washer: 5/16" (16 pcs)
- C** Spring Washer: 5/16" (8 pcs)
- D** Hex Nut: 5/16"-18 (8 pcs)
- E** Screw: 1/4"-20x.59 (8 pcs)
- F** Screw: 1/4"-20x.5 (2 pcs)
- G** Washer: 1/4" (2 pcs)



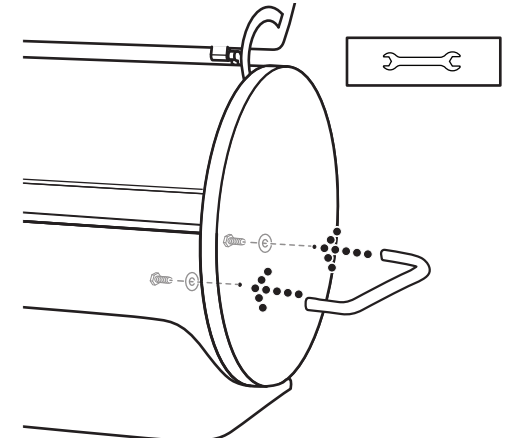
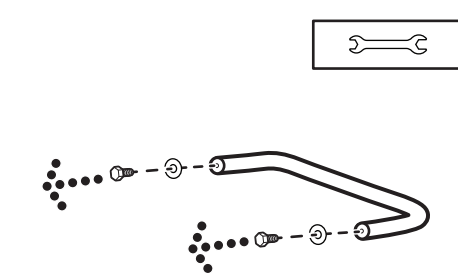
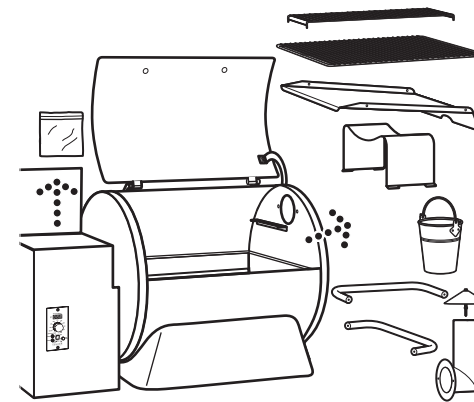
**READ ALL INSTRUCTIONS BEFORE INSTALLING AND USING THE APPLIANCE**

Traeger'ing is more fun with friends! **(No, really, you will need two people to lift the grill.)**

**1 INSTALL SIDE LIFT HANDLE**



**NOTE:** You should assemble grill on a clean, flat surface, as you will need to lay it on its back during assembly.



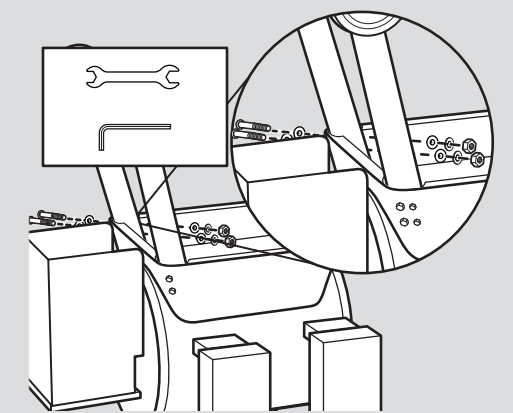
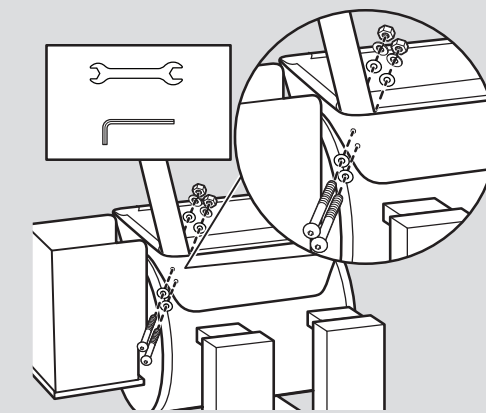
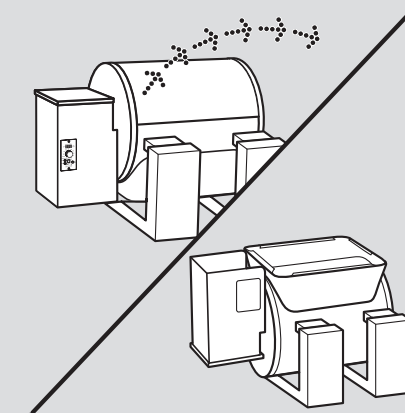
In this step: **2**

In this step: **1 2**

**2 INSTALL LEGS**



**NOTE:** When fastening legs to grill body, fasteners assemble in this order: **A B Leg B C D**  
**Grill is very heavy. Always lift grill with TWO people.**



In this step: **4**

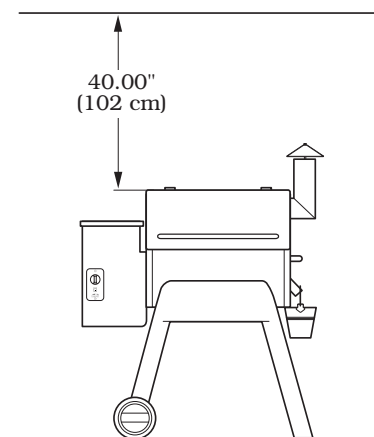
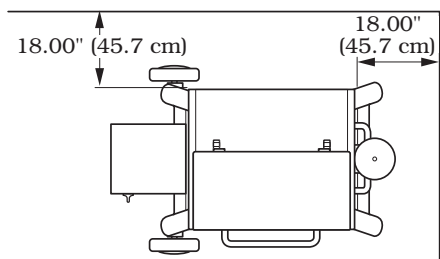
In this step: **3**

**A x 2 B x 4 C x 2 D x 2**

**A x 2 B x 4 C x 2 D x 2**

**WARNING!**

- When operating this grill under overhead combustibles, a **MINIMUM** of 40 inches (102 cm) is required.
- When operating this grill, maintain a **MINIMUM** distance of 18 inches (45.7 cm) from the grill to combustibles.



**IMPORTANT!**

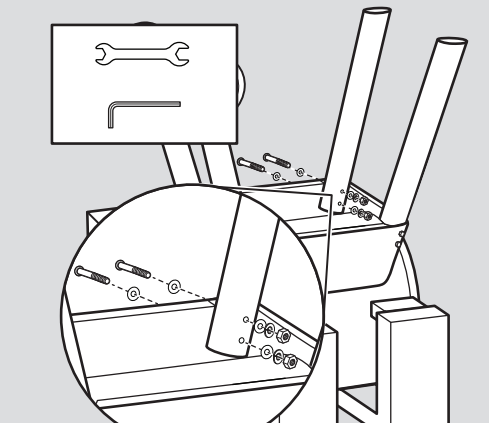
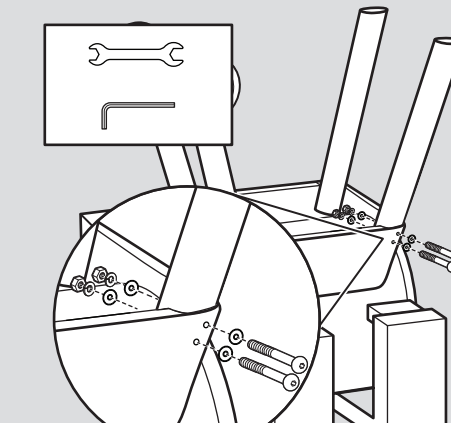
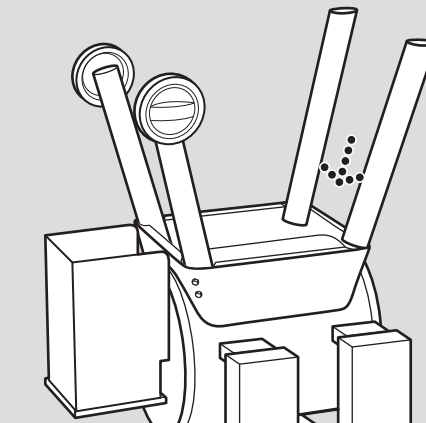
- The grill is very heavy. Always lift the grill with TWO people.

**GRAB THE 6-PACK, GET THE TOOLS, CUE THE RADIO — IT'S ALMOST TRAEGER'ING TIME.**

**1**

**2**

**3**



In this step: **5 6**

In this step: **5**

In this step: **6**

**A x 2 B x 4 C x 2 D x 2**

**A x 2 B x 4 C x 2 D x 2**

**4**

**5**

**6**